

# WellChrom

## Filter-Photometer K-2001

## Filterphotometer K-2001

## Handbuch / User Manual

V7561, 06/2001



# CONTENTS

Using this Manual .....	4
Conventions in this manual.....	4
SOP's in this manual .....	5
The Filter-Photometer K-2001 .....	6
General Description .....	6
Optical Path of the Filter-Photometer K-2001 .....	7
Preparing the Filter-Photometer K-2001 for Operation .....	7
Unpacking.....	7
Standard delivery .....	7
Front Panel Controls .....	8
Front View of the Filter-Photometer K-2001 .....	8
Function of Foil Keys .....	8
Rear view .....	9
Power supply, ON/OFF, Selftest .....	9
Operating the Filter Photometer.....	10
Internal Software Structure .....	10
Installation of the Flow Cell.....	14
Capillary Connection to a HPLC System .....	14
Direct Control of the Filter-Photometer K-2001.....	15
Time programmed Chromatograms .....	16
Entering a Program.....	16
Running a Program .....	17
Connecting other Instruments to the Filter-Photometer K-2001.....	17
Using the remote control socket.....	17
Connections of the remote control socket .....	17
Assembling plug strips.....	19
Software Control of the Filter-Photometer K-2001.....	19
RS 232 Serial Interface .....	20
Simple Maintenance.....	21
Control of the lamp's functionality.....	21
Changing the lamp.....	21
Cleaning the flow cell .....	23
Analytical flow cells.....	23
Preparative flow cells.....	24
Adjusting the path length of the preparative flow cells.....	24
Flow cells with fiber optical connectors .....	25
Trouble shooting.....	26
Error messages and their reasons .....	26
Spare parts and accessories .....	27
Flow cells for the Filter-Photometer K-2001.....	27
Analytical Flow Cells.....	27
Preparative Flow Cells.....	27
U-Z View™ Micro Flow Cells .....	27
Spare Parts.....	27
Technical Data.....	28
Declaration of conformity.....	29
Guarantee statement.....	30

# INHALT

Zur Benutzung des Handbuches .....	31
Konventionen in diesem Handbuch .....	31
SOP's in diesem Handbuch .....	32
Das Filterphotometer K-2001 .....	33
Allgemeine Beschreibung .....	33
Optischer Weg im Filterphotometer K-2001 .....	34
Inbetriebnahme des Filterphotometers K-2001 .....	35
Auspacken .....	35
Standardauslieferung .....	35
Steuerelemente des Filterphotometers K-2001 .....	35
Frontansicht .....	35
Funktion der Folientastatur .....	36
Rückansicht .....	36
Stromversorgung, Ein/Aus, Autotest .....	37
Betrieb des Filterphotometers .....	38
Aufbau der internen Software .....	38
Installation der Messzelle .....	41
Kapillaranschluss an ein HPLC-System .....	42
Direkte Steuerung des Filterphotometers K-2001 .....	43
Zeitprogrammierte Chromatogrammaufnahme .....	44
Programm-Eingabe .....	44
Programm-Ausführung .....	44
Verbindung anderer Geräte mit dem Filterphotometer K-2001 .....	45
Verwendung der Fernsteuerungsleiste .....	45
Belegung der Fernsteuerungsanschlussleiste .....	45
Montage der WAGO-Anschlussstecker .....	47
Softwaresteuerung des Filterphotometers K-2001 .....	47
RS 232 Serielle Schnittstelle .....	48
Einfache Wartung .....	49
Kontrolle der Lampenfunktion .....	49
Lampenwechsel .....	49
Messzellenreinigung .....	51
Analytische Messzellen .....	51
Präparative Messzellen .....	52
Festlegung der Länge präparativer Messzellen .....	52
Messzellen mit Lichtleiteranschluss .....	53
Fehlermeldungen und ihre Ursachen .....	54
Ersatzteile und Zubehör .....	55
Messzellen für das Filterphotometer K-2001 .....	55
Analytische Durchflusszellen .....	55
Präparative Durchflusszellen .....	55
U-Z View™ Mikro-Durchflusszellen .....	55
Ersatzteile .....	55
Technische Daten .....	56
Konformitätserklärung .....	57
Garantiebedingungen .....	58

## Using this Manual

This manual refers to the *WellChrom* Filter-Photometer K-2001 Firmware Revision 1.06 or higher. It is valid for any combination with analytical flow cells order number A 4061, A 4062, A 4063, A 4065, preparative flow cells order number A 4066, A 4067, A 4068, A 4069 and all UZ View™ micro flow cells in standard and fiber optic version.

### Conventions in this manual

Arrows like this: → ↔, used in block diagrams, indicate that the user is asked to press the corresponding arrow keys. The operation of arrow keys is defined as follows:

Cursor right: ▶      up: ▲      down: ▼      left: ◀.



**Important Hints** are marked by the marginal hand symbol.



**Special Warnings** are indicated by the marginal warning sign and printed in bold letters.



The marginal lamp symbol indicates helpful advice's.



## SOP's in this manual

The **Standard Operating Procedures (SOP)** provided with this manual offer a convenient way of structuring complex tasks in the operation of your Filter-Photometer K-2001. They include step-by-step instructions leading the user through all routine tasks during operation. They can be used for documentation purposes and be copied, applied signed, and filed in order to document the performance of the instrument.



**Please operate the instrument and all accessories according to instructions and SOP's in this manual. This ensures proper results and longevity of your equipment.**

<b>SOP 1</b>	Installation of the Flow Cell .....	14
<b>SOP 2</b>	Capillary connections .....	14
<b>SOP 3</b>	WAGO plug strip assembling.....	19
<b>SOP 4</b>	Changing the deuterium lamp. ....	22
<b>SOP 5</b>	Changing the halogen tungsten lamp.....	22
<b>SOP 6</b>	Purging the Flow Cell .....	23
<b>SOP 7</b>	Cleaning an analytical flow cell.....	23
<b>SOP 8</b>	Cleaning a preparative flow cell.....	24
<b>SOP 9</b>	Changing the path length.....	24

## The Filter-Photometer K-2001

### General Description

The *WellChrom* Filter-Photometer K-2001 is a valuable new detector, especially developed for routine measurements. The Filter-Photometer K-2001 satisfies all GLP requirements of a regulated laboratory.

The instrument is delivered in its standard version with a deuterium lamp as well as with 4 filters for the wavelengths 200, 220, 254, and 280 nm. Optional a tungsten-halogen lamp is available. Additional two further wavelength filters of your choice can be built in.

A rich palette of flow cells available for the KNAUER photometers, ranging from cells for Nano-HPLC with flow rates < 10 nL/min to preparative cells for up to 10 l/min, make the photometer K-2001 highly flexible in the full range of LC applications.

Moreover, a version of the Filter-Photometer K-2001 equipped with fiber optical connectors of the cell is available. This enables the spatial separation of detector and flow cell and thus the use of these instruments in hazardous locations.

After powering up the *WellChrom* Filter-Photometer K-2001 performs a self test automatically.

The high sensitive detector is marked by its excellent low noise ( $\pm 1 \times 10^{-5}$  AU) and also by a low baseline drift of  $5 \times 10^{-5}$  AU/h. The Autozero range is full scale.

The clear foil pad enables you to activate all basic functions in an easy to learn way. Furthermore you can enter, save, and run a time program for changing the filter. 10 program lines are available. The program can be executed as often as you want.

The control of the Filter-Photometer and the data collection occur digitally, to ensure a trouble free working of the instrument. Also an adjustable analog input and the option for an analog remote control are available.

### Optical Path of the Filter-Photometer K-2001

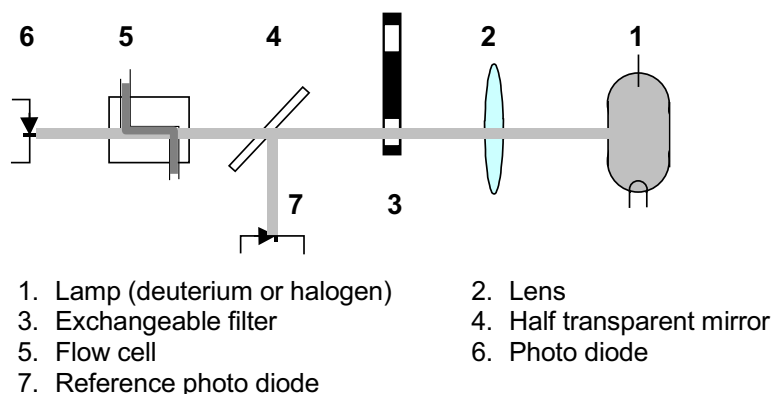


Fig. 1

*Optical Path of the Filter-Photometer K-2001*

The light emitted from the lamp (1) is focussed by the lens(2). The exchangeable filter (3) fades out the desired wavelength. The beam is then splitted by a half transparent mirror (4). One part beam delivers the reference signal (7) and the other after pathing the flow cell (5) the measurement signal (6).

## Preparing the Filter-Photometer K-2001 for Operation

### Unpacking

After unpacking, please check the device and accessories thoroughly for any damage that may have occurred during transport. If necessary, put forward any claim for damages to the carrier.

Use list "Standard delivery" and check that the Filter-Photometer K-2001 delivery is complete. Please contact our service department if you miss something or if you need support. Please fill out the guarantee registration card and return it to us immediately.

Remove the protection foils from the display and from the capillary inlet and outlet respectively.

### Standard delivery

WellChrom Spectro Photometer K-2501 without cell  
 Operation Manual  
 Power Supply Cable 230 V  
 RS-232 Cable  
 Integrator Cable  
 Plug Strips with Connectors  
 Analog Connection Cable

## Front Panel Controls

### Front View of the Filter-Photometer K-2001

1. Display information
2. Foil key area
3. Knurled cell screws
4. Flow cell housing
5. Flow cell cradle
6. Outlet
7. Flow cell
8. Path length of cell
9. Inlet

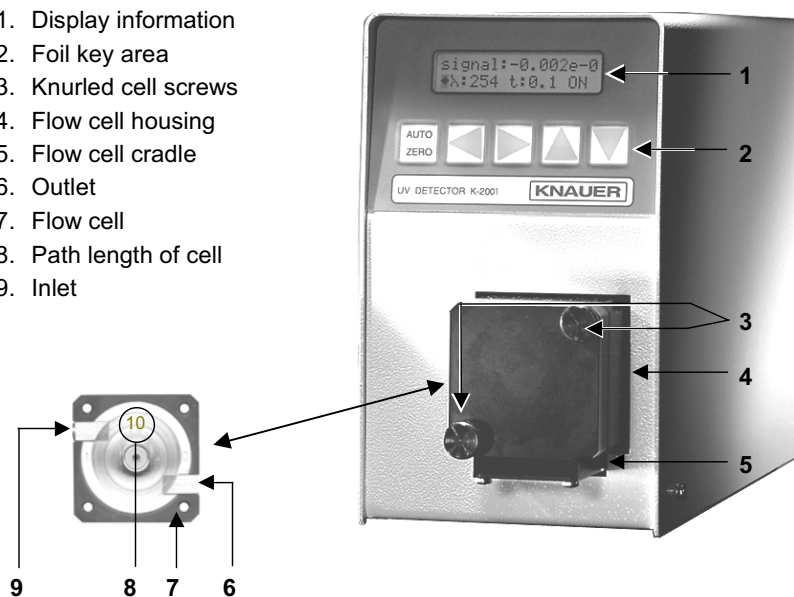


Fig. 2

Front Panel Elements of Photometer and Flow Cell

### Function of Foil Keys

The foil key area (2) in Fig. 2 „Front panel of the Filter-Photometer K-2001“ consists of an AUTOZERO key and four arrow keys.

#### AUTOZERO



Pushing this button will adjust the baseline. Usually the button should be pressed shortly before starting a chromatographic run. From any displayed menu the display returns to the SIGNAL-menu.

#### Arrow Keys



Use the yellow arrow keys  $\blacktriangleright$  „right“ or  $\blacktriangleleft$  „left“ to move and to position the cursor on the display as well as to confirm entered or selected values.



Using the yellow arrow keys  $\blacktriangle$  „up“ or  $\blacktriangledown$  „down“ you can change the selected parameter or the available options of it.

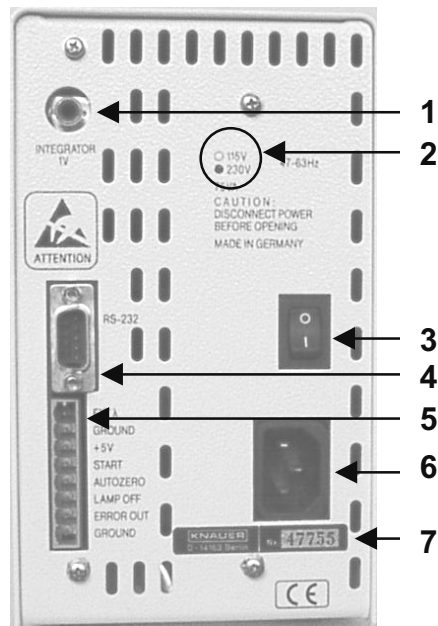
**Rear view**

Fig. 3

Rear view of the Filter-Photometer K-2001

- 1 Analog output (to recorder or integrator)
- 2 Indication of the input voltage (see Abb. 4)
- 3 ON/OFF switch
- 4 RS-232 Interface
- 5 Terminal strip Remote connections
- 6 Power connector
- 7 Serial number

**Power supply, ON/OFF, Selftest**

The Filter-Photometer K-2001 operates with 115 or 230 V AC of 47-63 Hz. The setting is done by the manufacturer on customers request. The standard setting is 230 V. If there is on any reasons the need of a change, please contact our service department. The actual setting is indicated on the rear panel of the instrument (Abb. 4).



Fig. 4 Indication of the input voltage



**Make certain that the correct voltage has been set on the rear panel of the instrument, the power supply is grounded and a corresponding 3-pole power cable is used.**

Connect the photometer to the power supply and switch on the instrument. The power switch is on the rear panel, see Abb. 3 on page 36.

After switching ON the display (item 1 in Fig. 2 on page 8) presents for a short time information's concerning the instrument version and number:

<b>*KNAUER</b>	<b>V 2.3</b>
<b>MINI-FIPHO</b>	

Any powering up the instrument includes a check of the electronics and an Autozero. Prior to this the lamp is heated to the working temperature for about 20 seconds indicated by the following display:

<b>signal:</b>	<b>t:0.2</b>	<b>-.----</b>
<b>◆λ:254</b>		<b>HEA</b>

The start routine will be finished by an automatically Autozero. Now the Filter-Photometer is ready to work, showing the display:

<b>signal:</b>	<b>t:0.2</b>	<b>0.0000</b>
<b>◆λ:254</b>		<b>ON</b>

## Operating the Filter Photometer

### Internal Software Structure

The software is divided in various menus, each of which allows particular settings and operational modes. You reach the single menu by positioning the cursor on the rhombus field **◆** followed by pressing the **Δ** or **∇** keys. As indicated in Abb. 5, the menus will be called up in an endless loop.

The single menu will be described in detail. Inside of any menu the cursor can be moved to the next or predecesing field using the **▷** or **◁** keys respectively. There it is possible to increase or decrease the corresponding parameter settings by help of the **Δ** or **∇** keys. In some cases you can scroll with the **Δ** or **∇** keys through the available options. Moving to an other entry field using the **▷** or **◁** keys respectively the entered changes will be confirmed.

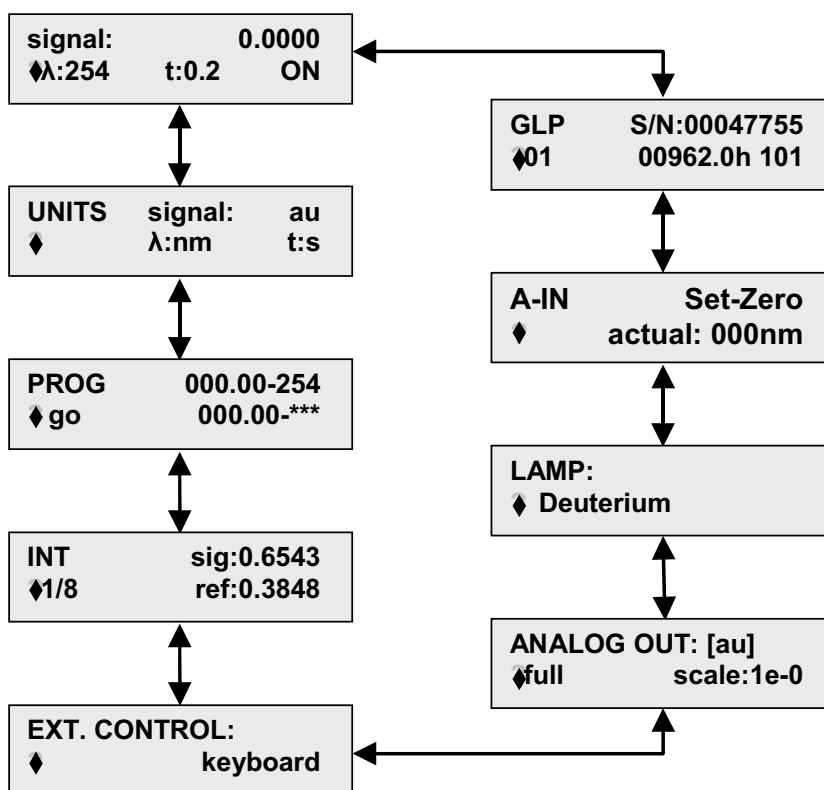
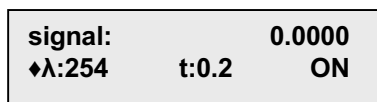


Fig. 5 Menu sequence of the Filter-Photometer K-2001

**The SIGNAL menu**



The signal or main menu contains the data signal intensity **signal:**, wavelength **λ:**, time constant **t:** and the lamp status.

The actual measured signal value is shown in a fixed point manner with four digits. The measurement wavelength **λ:** can be selected out of the standard values 200, 220, 254, 280 nm, and if chosen of your optional filters.

Using a time constant you can achieve a signal smoothing. The time constant **t:** can be set to the values of **0.1, 0.2, 0.5, 1, 2, 5** or **10** seconds. The larger this value is set the more the signal will be smoothed. A time constant of 1 s fits most of analytical purposes best.

At last you can switch ON/OFF the lamp in this menu, indicated by **ON** and **OFF** respectively.

**The UNITS menu**



This menu is for information only, no changes are possible. The units of the signal menu values are shown.

### The PROG menu

<b>PROG</b>	<b>000.00-254</b>
◆ <b>go</b>	<b>000.00-***</b>

The PROG menu serves to enter a time based program for changing the wavelength's. The way how a program is entered and runned will be described in the section Entering a Program on page 16. Inclusive both starting and ending lines a program can consists of 11 lines maximum.

### The INT menu

This menu is for information only, no changes are possible.

<b>INT</b>	<b>sig:0.6543</b>
◆ <b>1/8</b>	<b>ref:0.3848</b>

The values **sig** and **ref** record the light intensities of the signal and reference channel respectively. The **sig** and **ref** values are in the range between 0 and 1. They depend on the selected wavelength, the solvent in use, the flow cell as well as on the age of the lamp. The ratio of both the values should be between 1:1.5 and 1:1.8. Significant deviations are an indicator for instance for a dirty lens or a to strong absorption of the solvent at the selected wavelength.

The value **1/8** behind the rhombus in the second line is a measure for the integration time and it is only of interest in case of servicing.

### The EXT. CONTROL menu

<b>EXT. CONTROL:</b>	
◆	<b>keyboard</b>

This menu enables you to select the control mode: either from other instruments (external control = **analog**) or in a **stand-alone** mode (selection **keyboard**)

### The ANALOG OUT menu

<b>ANALOG OUT:</b>	<b>[au]</b>
◆ <b>full scale:</b>	<b>1e-0</b>

The ANALOG OUT menu is used for calibration of the analog output signals. Generally the maximum output signal is 1 V. In accordance with your actual conditions you can determine how many AU correspond to this signal maximum or **full scale** deflection. The values of 1e-4, 2e-4, 5e-4, 1e-3, 2e-3, 5e-3, 1e-2, 2e-2, 5e-2, 1e-1, 2e-1, 5e-1, 1e-0, 2e-0, 5e-0 or 1e+1 AU (corresponding to 0.0001, 0.0002, 0.0005, 0.001, 0.002, 0.005, 0.01, 0.02, 0.05, 0.1, 0.2, 0.5 1, 2, 5 and 10 AU respectively) are selectable.

### The Lamp menu

This menu is for entering the type of lamp used to adapt the software. The options Deuterium and Halogen are possible.

LAMP: ◆ Deuterium
----------------------



The setting shall only be changed, if really a change of the lamp type was carried out. If the setting and the actual installed lamp type are not in agreement, the instrument will not work properly.

### The A-IN menu

A-IN	Set-Zero
◆ actual:	000nm

The A-IN-(Analog-IN) menu is used to calibrate the analog input for automatic adjusting the monochromator. Activating the **Set-Zero** entry function interprets a voltage signal at the input as 000 nm. If then a signal of for instance 5 V is applied to the input, the **actual** field will show 500 nm as recognized wavelength value, considering a setting of 1 V = 100 nm, 500 nm. To produce a second calibration point the displayed wavelength can be changed pressing the ▽ or Δ keys.

### The GLP menu

GLP	S/N:00047755
◆01	00962.0h 101

The GLP menu contains the following information: serial number total number of lamps used, total operating hours of the current lamp and number of lamp starts.

Pressing the ▷ or ◀ keys you access the lamp counter. Pressing now one of the Δ or ▽ keys, the lamp counter will be **incremented** in both cases by 1. At the same time the ignition counter as well as the operating time counter will be set to zero!



This entry is irreversible! Make certain, that this function is used only after the lamp was really exchanged.

## Installation of the Flow Cell

The Spectro Photometer K-2501 comes factory configured without a flow cell. The device is equipped with a "dummy" cell which does not have any optical parts. Before operating the photometer it is necessary to install an appropriate KNAUER flow cell.



The instrument or the lamp are not needed to be switched off for changing the flow cell. When the flow cell is removed an error message **intens.overflow** will appear in the upper display line because the analog to digital converter gets an overflow due to the incoming light. This is **not** an instrumentation **fault!** After having installed the new flow cell properly, press any button to delete the error message.

### SOP 1

#### Installation of the Flow Cell

This instruction refers to the Filter-Photometer K-2001 without fiber optical connectors. Compare Fig. 2 „Front Panel Elements of Photometer and Flow Cell“ on page 8.

Loosen the two knurled cell screws (3) by hand and remove them.

1. Pull out the flow cell housing (4).
2. Take the cell or dummy cell with two fingers and remove it upward.
3. Insert the new flow cell (7) and make sure as well that the engraved specification (8) points towards the user and can be read as the fixing hole on the back side of the cell meets the corresponding metal pin of the photometer's housing.
4. Now push the complete system towards the housing, insert the two screws and tighten them manually.

## Capillary Connection to a HPLC System



**Before taking a measurement cell filled with fluid into operation, please make certain that the used eluent is miscible with that one used previously. Otherwise purge the flow cell with a medium miscible with both the other fluids.**

### SOP 2

#### Capillary connections.

This instruction refers to the Filter-Photometer K-2001. Compare Fig. 2 „Front Panel Elements of Photometer and Flow Cell“ on page 8.

5. Connect the outlet of the HPLC column to the inlet bushing of the flow cell (9).



Please use DYNASEAL bushings and the shortest possible capillary with small internal diameter in order to keep the dead volume as small as possible.

6. Push the bushing, the clamping ring, and the sealing ring onto the capillary. Please take care on the sequence and orientation of fittings, see Fig. 6 „DYNASEAL Capillary connections“.
7. Push the capillary as far as possible into the flow cell input.
8. Fasten the bushing by hand.
9. Connect the flow cell outlet (6) using a capillary or teflon tube (ID > 0,5 mm) to a waste bottle.

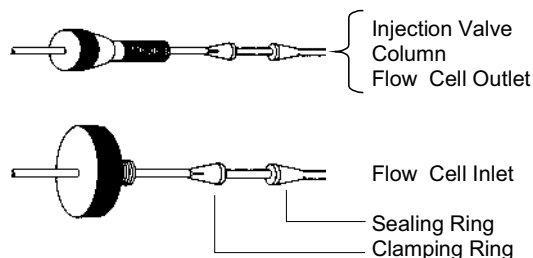


Fig. 6 DYNASEAL Capillary connections

The capillary in a simple isocratic system is shown in the following figure. For perspective reasons the Filter-Photometer K-2001 is symbolized by the flow cell and the used HPLC pump by its pump head.

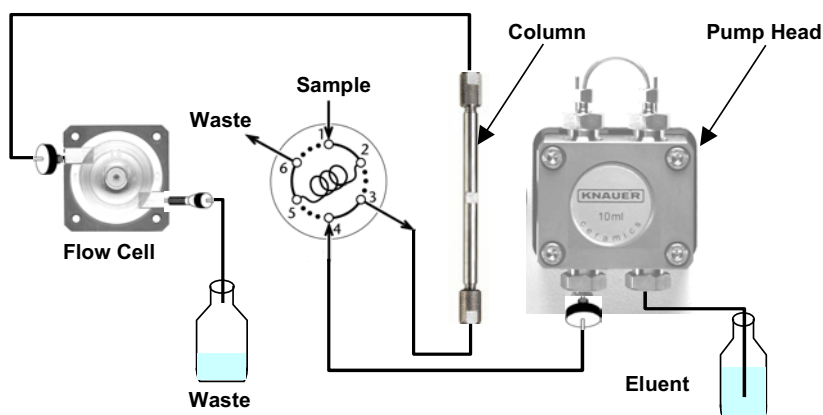


Fig. 7 Isocratic HPLC System

### Direct Control of the Filter-Photometer K-2001

In this section it will be described, how the Filter-Photometer K-2001 is to configure and to operate.

Switch the instrument on keeping in mind the hints given in the section Power supply, ON/OFF, Selftest on page 9.



**Prior to the first measurement wait for about 15 minutes for warming up the instrument with the HPLC pump also switched on. In case of especially sensitive measurements even prolonging this warming up time may be needed.**

If the instrument after passing the start routine is displaying

**Instrument is in EXTERNAL mode!**

it is under extern control by other devices. To control the photometer directly please change the setting in the EXT. CONTROL menu (see page 12) to **keyboard** control.

The lamp starts generally with any powering up automatically. However at any time it can be switched of and on in the SIGNAL menu (page 11).

Also in the SIGNAL menu select the desired wavelength and the appropriated time constant. In principle your Filter-Photometer K-2001 is now ready to take simple chromatograms.

## Time programmed Chromatograms

### Entering a Program

Programs are used to set and to change the wavelength during a run. Activate as described on page 12 the PROG menu. If no program is already saved you will get the following display:

<b>PROG</b>	<b>000.00-254</b>
<b>◆ go</b>	<b>000.00-***</b>

In the first line of the program you always will find **000.00** (0 minutes, 0 seconds) as starting point and an actual wavelength. The proceeding line contains the same time and "\*\*\*\*" for the wavelength. This ending line is used to create new lines for the program.



The cursor can be moved to the next or predecessing field using the  $\triangleright$  or  $\triangleleft$  keys respectively. There it is possible to increase or decrease the corresponding parameter settings by help of the  $\Delta$  or  $\nabla$  keys. Moving to an other entry field using the  $\triangleright$  or  $\triangleleft$  keys respectively the entered changes will be confirmed.



**You can leave the entry fields without confirming the changes by pressing the AUTO-ZERO button. The cursor moves back to the menu selector (rhombus field).**

First enter a new time in the editing line. The wavelength of the predecessing line will be adopted for possible changes. Only than the wavelength field of this line is accessible for changes. Simultaneously a new ending line is created, which can be achieved by moving the cursor with the  $\triangleright$  key. It is impossible to enter a time value smaller than the previous one. This ensures programs without time conflicts.

Including both the start and the ending line a program can consists of 11 lines as a maximum. Therefore you can measure during a single run with up to 10 different wavelength's.



**Caution! If you enter in any existing program line the time value of the predecessing line it becomes automatically the ending line. That means all following lines will be irreversible deleted!**



To delete a program enter in its second line the time value **000.00** (0 minutes, 0 seconds).

## Running a Program

A program can be executed via an external signal (section *The PROG menu* on page 12), as well as manually. Position the cursor on the **go** field and press one of the  $\Delta$  or  $\nabla$  keys.

A running program is indicated by **RUN**, see the following display, accompanied by the actually measured **signal**, the running time and the actual wavelength.

signal:	0.4567
RUN	001.30-254

Any programmed change of the wavelength is followed by an AUTO-ZERO.

A running program can be stopped at any time by pressing of any key. If you leave a program the last wavelength setting will remain active. A program will not be lost by switching off the instrument.

## Connecting other Instruments to the Filter-Photometer K-2001

### Using the remote control socket

On the rear panel side of the Filter-Photometer K-2001 an electrical connector socket is located (item 5 in Fig. 3 on page 9) which serve to send or receive signals from other instruments. For example outgoing start signals of an injection valve or an autosampler can be laid on the START input. All voltages have to be mounted between GROUND and the corresponding event.



**Please avoid touching the electrical contacts of the socket lines. Electrostatic discharges when touching the contacts could damage the electronics of the device.**



To operate the photometer external controlled change the setting in the EXT. CONTROL menu to **analog** (see page 12).

### Connections of the remote control socket

Two of the eight positions on the remote control socket are **ground** connections one is for ERROR OUT and four serve as control connections.

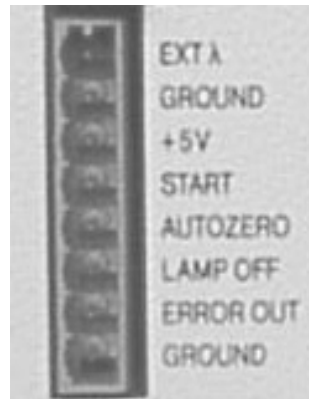


Fig. 8

## Remote Control Connections

- EXT λ** Control voltage signal for automatic wavelength selection (maximum voltage: 10 V = 10 mV/nm).
- +5V** **Caution! This connection is not allowed to use. It serves for service purposes only.**
- START** Short circuit to GROUND causes a program execution (see *Running a Program* on page 17).
- AUTOZERO** Short circuit to GROUND triggers an Autozero signal. Measurement restarts after the signal is switched off.
- LAMP OFF** Short circuit to GROUND means lamp **OFF**. Open input means lamp **ON**.
- ERROR OUT** Error signal (TTL, open collector), remains active as long as an error will be displayed e.g. the lamp does not start.

The Fig. 9 shows as an example the wiring of the Filter-Photometer K-2001 with the KNAUER Interface box.

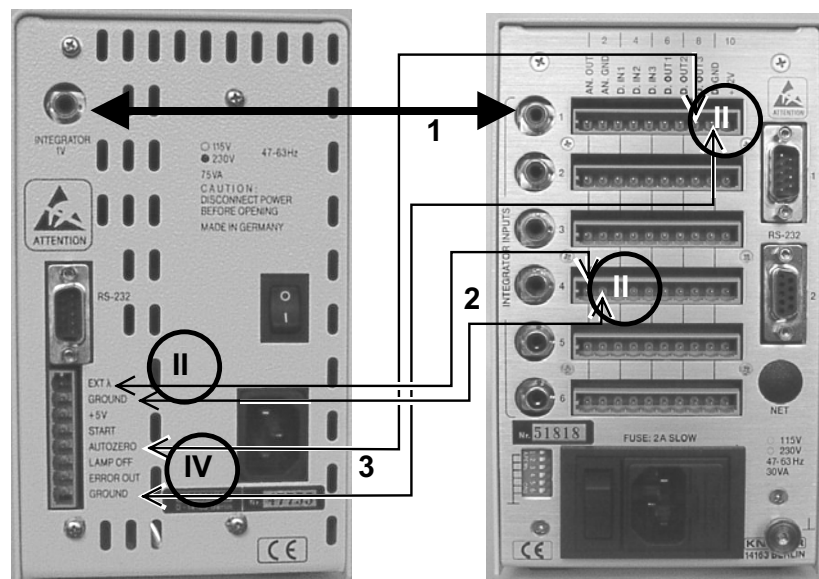


Fig. 9

## Connections of the Filter-Photometer K-2001 with a KNAUER-Interface box

The connection **1** (Integrator output) is mounted using a cinch-cinch-connection cable. The connections **2** and **3** are closed with cables you are obliged to mount yourself as described in the following section. The connection **2** needs two 2-pole plugs (II) and the connection **3** needs one 2-pole plug (II) **and** one 4-pole plug (IV).

### Assembling plug strips

For wiring the Filter-Photometer K-2001 with other instruments you need cables with WAGO plug strips. Plug strips with 2, 3 or 4 positions are included in the standard delivery. They are mounted as follows:

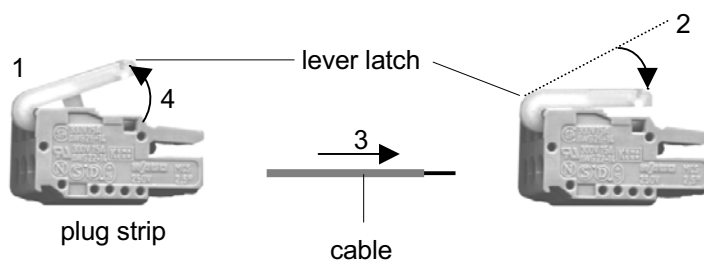


Fig. 10

Assembling plug strips

### SOP 3

#### WAGO plug strip assembling

1. Insert the rounded end of the lever latch into the square opening of the selected connector of the plug strip.
2. Press the catch down as indicated by arrow.
3. Insert the uninsulated end of the cable into the opening under the catch.
4. Release the catch and remove the lever latch from the plug.

The cable is now firmly anchored in the plug strip.

### Software Control of the Filter-Photometer K-2001

The full capabilities of the Filter-Photometer K-2001 are accessed under operation with the HPLC software packages EuroChrom<sup>®</sup> for Windows or ChromGate<sup>®</sup>.



Fig. 11

HPLC software packages

This chapter gives only a short information regarding the connections of the detector when working with the Filter-Photometer K-2001 under EuroChrom<sup>®</sup> or ChromGate<sup>®</sup> software control. For more detailed information's concerning the features of the software, please consider the users handbook of the software.



**Working under software control, the PROG-menu must be empty, no program is allowed!** Only then a START signal will be interpreted as command to start the measurement. In case a program is entered, any START signal will be interpreted as command to start this program.

### RS 232 Serial Interface

The RS 232 serial interface on the rear side of the device, item **4** in Fig. 3 on page 9, enable digital data transfer between the Filter-Photometer K-2001 and a PC, equipped with HPLC software (EuroChrom<sup>®</sup> or ChromGate<sup>®</sup>). Please connect this interface directly or if necessary via an interface multiplier to the **COM-Port** of your computer.



To operate the photometer external controlled by a software package change the setting in the EXT. CONTROL menu to **keyboard** (see page 12).

## Simple Maintenance

### Control of the lamp's functionality

The deuterium lamp used with the photometer K-2001 has an extended life time to ensure long-time functionality and reliable measurements with low noise and baseline drift as well as high sensitivity. The actual using time of the lamp depends on different factors, like the number of lamp starts, the average burning time and your requirements concerning noise and sensitivity.

To check the functionality of the lamp, the two intensity values **sig** and **ref** to be found in the SIGNAL menu on page 11 provide helpful information. The ref value refers to the intensity of the light measured in the reference channel and can be used for checking the quality of the lamp.

On delivery of the photometer, this value is set to the range of 0.39 to 0.78, measured with the dummy cell at a wavelength of 254 nm.

We recommend to check the **ref** value at regular intervals under the conditions mentioned above (dummy cell,  $\lambda = 254 \text{ nm}$ ). This applies especially in case higher noise levels or decreased sensitivity are observed on working with the photometer K-2001. In these observations coincide with a **ref** value of approx. 0.1 or less, a new deuterium lamp should be installed.

### Changing the lamp



**Remove the power plug before opening. Please let the lamp cool down for at least 15 minutes after switching it off.**

To change the lamp see Fig. 12 to Fig. 14.

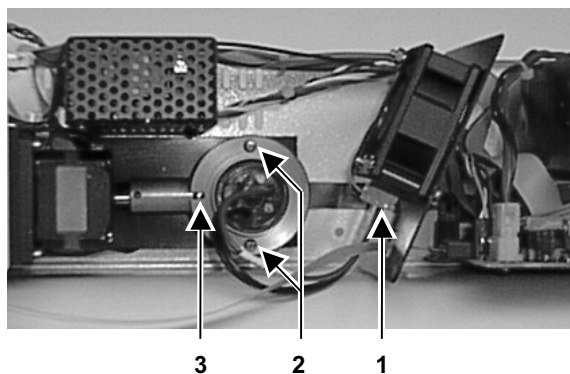


Fig. 12

Top view of the Filter-Photometer K-2001 with removed housing

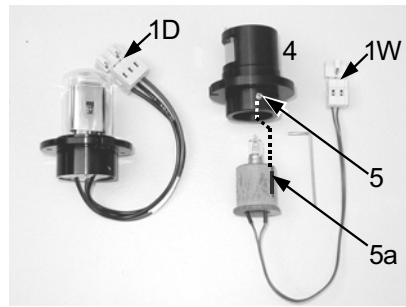


Fig. 13 Lamp assembly

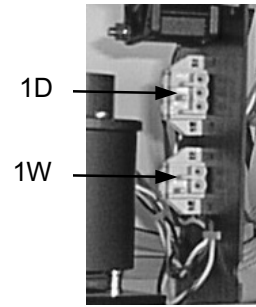


Fig. 14 Lamp sockets



**Do not touch the glass of the lamp. Should you touch it accidentally, clean it thoroughly with a lint free cloth and i-propanole.**

#### SOP 4

Changing the deuterium lamp.

This instruction applies to the Filter-Photometer K-2001.

1. Unscrew the housing and remove it by lifting.
2. Pull the 3-pole plug of the old lamp (item 1D). Unscrew the two screws in the lamp socket (item 2) with a screw driver and remove the whole lamp from the instrument including its cables.
3. Insert the new lamp assuring that it is correctly seated in the guiding slot (item 3).
4. Screw it in securely (item 2) and connect the 3-pole plug into the 3-pole socket (item 1D).
5. Increase the lamp counter in the GLP-menu. The operating time counter will be set to zero by this implementation.
6. Put the lid back on from the top of the instrument and fasten the screws of the cover.
7. Check the intensity values in the INT-menu.



**Hint: If a new lamp is installed, it takes about 24 hours to reach the optimum working conditions.**

#### SOP 5

Changing the halogen tungsten lamp.

This instruction applies to the Filter-Photometer K-2001.

1. Unscrew the housing and remove it by lifting.
2. Pull the 2-pole plug of the old lamp (item 1T). Unscrew the two screws in the lamp socket (item 2) with a screw driver and remove the whole lamp from the instrument including its socket (item 4) and cables.
3. Loosen the pin screw (item 5) and pull the lamp out of its socket.
4. Insert the new lamp assuring that it is correctly seated in the guiding slot (item 5, 5a) and fasten the pin screw.
5. Insert the socket with lamp into the instrument, screw it in securely (item 2), and connect the 2-pole plug into the 2-pole socket (item 1T).
6. Increase the lamp counter in the GLP-menu. The operating time counter will be set to zero by this implementation.

7. Put the lid back on from the top of the instrument and fasten the screws of the cover.
8. Check the intensity values in the INT-menu.

### Cleaning the flow cell

Noisy baselines and low sensitivities may be due to a dirty flow cell. This may also be indicated by a low value for **sig** in the signal menu when flushing the cell with pure solvent. In most cases it is sufficient to purge the flow cell according to the following SOP.

#### SOP 6

##### Purging the Flow Cell

1. Purge the flow cell using one of following solvents: sodium dodecyle sulfate (SDS), 1m HCl, 1m NaOH, ethanol, or acetone.
2. Run the solvent through the flow cell using a syringe and leave for approximately 5 minutes..
3. Rinse extensively with water and the blow dry using a gentle stream of pure nitrogen.



**Never dry with compressed air from a „house“ line as this will contain microdroplets of oil that will coat the cell.**

When the optics module is not in use, disconnect the flow cell and clean out traces of salt and protein with a syringe filled with distilled water. Before storing the flow cell inject a dilute solution (10-25%) of ethanol or i-propanol to prevent microbial growth.

In case the flow cell purging do not provide sufficient success, all flow cells can easily be disassembled for cleaning the lenses.

### Analytical flow cells

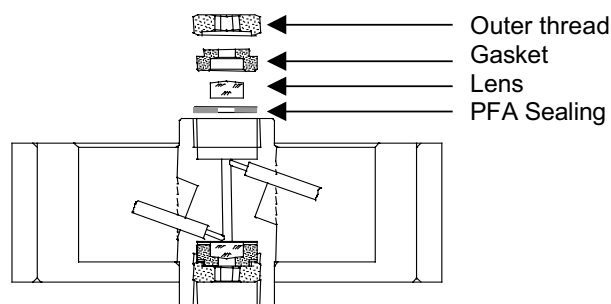


Fig. 15

Sectional view of an analytical flow cell

#### SOP 7

Cleaning an analytical flow cell. This instruction applies to the analytical flow cells A4061, A4062, A4063, and A4065.

1. Unscrew the outer threads with the 3 mm hexagonal spanner enclosed in the flow cell's delivery.
2. Remove the black gasket that carries the lenses with a pair of tweezers or by gently tapping it on a clean surface. The lens is embedded in the gasket and sealed against the flow path with a PTFE seal. This seal should be changed every time when disassembling the flow cell.
3. Take out the lenses and clean them by wiping them with a soft cloth or with an appropriate solvent in an ultrasonic bath. Be careful not to touch the clean lenses with the fingers.

4. Reassemble the cell in the reverse manner, making sure that the PTFE seal does not block the light path.
5. Tighten the outer threads carefully with the spanner in order not to damage the lenses.

### Preparative flow cells

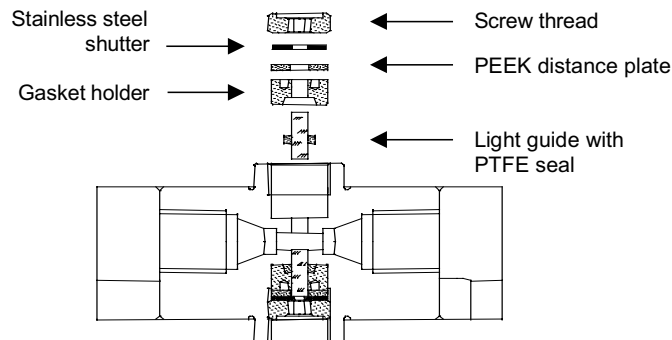


Fig. 16 Sectional view of a preparative flow cell

**SOP 8** Cleaning a preparative flow cell. This instruction applies to the preparative flow cells A4066, A4067, A4068, and A4069.

The preparative flow cells have a rod shaped light guide instead of the concave lens in the analytical cells.

1. Unscrew the outer thread with a hexagonal spanner
2. Take out the stainless steel shutter and the PEEK distance plate (not present in A4069).
3. Get hold of the gasket holder with the light guide by grasping it with a pair of tweezers, using the indentations on the outer side of the gasket holder.
4. Push out the light guide and strip the PTFE sealing ring in order to clean the lens.
5. Reassemble the cell in reverse order. Use a new PTFE sealing ring after every disassembly to ensure the consistence of the flow cell.

### Adjusting the path length of the preparative flow cells

**SOP 9**

Changing the path length.

This instruction applies to flow cells A4066, A4067 and A4068 with 1/8" and 1/4" connectors. Path lengths can be adjusted to 2, 1.25 and 0.5 mm. On delivery the path length is set to 2 mm. To reduce the path length to 1.25 or 0.5 mm, follow the instructions given.

1. Unscrew the outer thread with the 3 mm hexagonal spanner.
2. Take out the stainless steel shutter and the PEEK distance plate.
3. Remove the distance plate, put back the stainless steel shutter and refasten the thread carefully.

With the distance plate removed, the rod shaped light guide is pushed further into the flow cell (0.75 mm), thus resulting in a reduced path length of 1.25 mm. To reduce the path length further to 0.5 mm, follow the same procedure on the other side of the cell.

To extend the path length again in steps of 0.75 mm, the PEEK distance plates have to be inserted again.

4. Loosen the outer thread, remove the stainless steel shutter and take out the gasket holder by using a pair of tweezers.
5. Push the light guide approximately 1 mm to the outside to enlarge the path length. Use a clean cloth and do not touch the light guide with the fingers.
6. Put the gasket holder back into the cell.
7. Insert the PEEK distance plate again and then the shutter.
8. Fasten the outer thread carefully.

When fastening the threads, the rod shaped light guide is pushed back in the correct position inside the cell. Inserting a distance plate thus enlarges the path length for 0.75 mm. It is not necessary to change the PTFE sealing ring when adjusting the path length.

### Flow cells with fiber optical connectors

Changing the path length of flow cells with fiber optical connectors can be done in the same way. In these cells the screwthread is replaced by a special adapter (Fig. 17). They additionally contain a lens to focus the light onto the optical fibers.

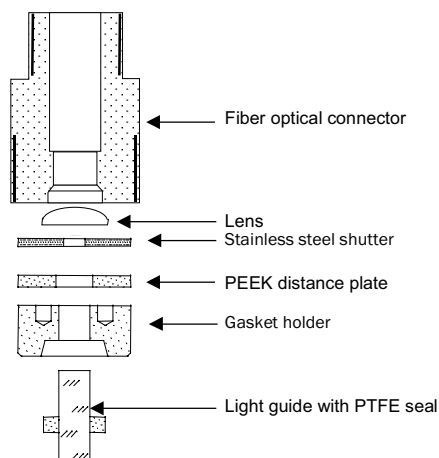


Fig. 17

*Fiber optical connector of a preparative flow cell*

## Trouble shooting

### Error messages and their reasons

Error message	probable cause	solution
<b>Deuterium lamp don't start</b>	Lamp defect	Exchange lamp
	Halogen lamp installed with lamp menu setting <b>Deuterium</b>	Change the setting in lamp menu
<b>ERROR zero position!</b>	Zero position can not be found	To perform a calibration switch the instrument OFF and ON
	Deuterium lamp installed with lamp menu setting <b>Halogen</b>	Change the setting in lamp menu
<b>Intensity overflow</b>	Light intensity too high, e.g. during exchanging the flow cell	Push any key after proper installing the flow cell
<b>ERROR: moving filter wheel</b>	The filter wheel is blocked for any reason	If this reason is not obviously, contact our service

If only **ERROR** is displayed press any key to continue. If there occur repeated problems starting the lamp or with calibrations please contact our service department.



The message **ERROR** interrupts a running program of your Filter-Photometer K-2001 as long as you have not pressed any key or an external start signal executes the program newly. The message **signal overflow** do not cause a program interruption.

## Spare parts and accessories

### Flow cells for the Filter-Photometer K-2001

All flow cells are also available equipped with fiber optical connectors for the use with the fiber optics version of the photometer K-2001.

#### Analytical Flow Cells

Order No. Cell type	Layer Thickness (mm); Connector	ID channel (mm)	Volume ( $\mu$ L)	Material	Flow Range (mL/min)	Maximum Pressure (bar)
A4061	10 mm; 1/16"	1,1	10	stainless steel, with heat exchanger	20	300
A4042	3 mm; 1/16"	1,0	2	stainless steel	50	300
A4045	3 mm; 1/16"	1,0	2	PEEK	50	30

#### Preparative Flow Cells

A4066	0,5/1,25/2 mm 1/8"			stainless steel	1.000	200
A4067	0,5/1,25/2 mm 1/8"			PEEK	1.000	100
A4068	0,5/1,25/2 mm 1/4"			stainless steel	10.000	200
A4069	0,5 mm 1/16"			stainless steel	250	200
A4095	0,5 mm 1/16"			PEEK	250	100

#### U-Z View™ Micro Flow Cells

A4091	8 mm 1/16"	0,150	0,140	fused silica	0,10	500
A4092	8 mm 280 $\mu$ m	0,015	0,035	fused silica	0,01	500
A4093	8 mm 280 $\mu$ m	0,020	0,003	fused silica	0,001	500
CE Cell: A4097	1 mm 280 $\mu$ m			stainless steel		

#### Spare Parts

A4071	Deuterium lamp
A4072	Halogen lamp
A4073	Halogen lamp with socket (needed for first installation of a halogen lamp)
M1642	Power supply cable
A0884	RS-232 connection cable
A1402	Set of plug strips (3x4; 2x3; 1x2 connections) including lever latch
G1023	Integrator cable
M1588	Analog connector cabal
A1467	10 pin Ribbon Cable
A1131	Repair kit for analytical flow cells
A1132	Repair kit for preparative flow cells

## Technical Data

Wavelengths	200, 220, 254, and 280 nm other filter on request
Band width	20 nm
Lamps	Deuterium (standard), Halogen (alternatively)
Wavelengths accuracy	$\pm 2$ nm
Range of measurement	0-4 AU
Sensitivity	$2 \times 10^{-5}$ AU at 240 nm and time constant 1.0 s
Noise	$1 \times 10^{-5}$ AU at 240 nm
Baseline drift	$15 \times 10^{-5}$ AU/h at 240 nm
Time constants	0.1/ 0.2 / 0.5 / 1.0 / 2.0 / 5.0 / 10.0 s
Scalable integrator out	$\pm 1.0$ V in 16 steps adjustable
Autozero Range	Full Scale
Display	2 x 16 Digits
Control	RS 232 interface, analog output, remote connector
Power Supply	115/230 V, 47 - 63Hz, 75 W
Weight	4 kg
Dimensions	106 x 185 x 240 mm (W x H x D)
GLP Support	Detailed trace report with operating hours of total, lamp, servo motor; number of lamp ignitions, service information

## Declaration of conformity

### Manufacturer's name

Wissenschaftliche Gerätebau  
Dr. Ing. Herbert KNAUER GmbH

### Manufacturer's address:

Hegauer Weg 38  
14163 Berlin, Deutschland

**WellChrom Filter-Photometer K-2001**, Order Number **A 4160** and  
**A 4200** (fiber optical version)

complies with the following requirements and product specifications:

- Low Voltage Ordinance (73/23/EWG);  
EN 61010 – 1 (1993)
- Engineering Guidelines (89/392/EWG)
- EMV Ordinance (89/336/EWG)  
EN 50081 – 1 (1992)  
EN 55011 (1991) Class B  
EN 55022 (1987) Class B  
EN 50082 – 1 (1992)  
IEC 801 – 2 (1984),  
includes IEC 41 B (sec) 81 (1992)  
IEC 801 – 3 (1984)  
IEC 801 – 4 (1988)

The product was tested in a typical configuration.

Berlin April, 10<sup>th</sup> 2000



Bernward Rittgerodt (Managing Director)

The CE Shield is attached to the rear of the instrument.



## Guarantee statement

The guarantee period of the WellChrom Filter-Photometer K-2001 is 12 months beginning from the date of dispatch from Berlin. Operation inconsistent with manufacturer's instructions or damage caused by unauthorized service personnel are excluded from guarantee. Damage caused by blockages and wear and tear parts such as fuses and seals are not covered by the guarantee. Claims under this guarantee are valid only if the enclosed guarantee card is returned to us at the address shown below within 14 days of receipt of the instrument. Defective pumps should be sent to the manufacturer for repair.

Wissenschaftliche Gerätebau  
Dr. Ing. Herbert Knauer GmbH  
Hegauer Weg 38  
D-14163 Berlin  
Tel: 030 – 809 727 – 0  
Fax: 030 – 801 50 10  
e-Mail: [info@knauer.net](mailto:info@knauer.net)  
[www.knauer.net](http://www.knauer.net)

If we find a defect covered by the guarantee, repair or replacement, at our discretion, will be carried out free of charge. Packing and transport costs are borne by the purchaser.

## Zur Benutzung des Handbuches

Dieses Handbuch bezieht sich auf den WellChrom Filterphotometer K-2001 der Firmwareversion 2.3 oder höher. Es gilt für alle Kombinationen mit den analytischen Messzellen der Bestellnummern A4061, A4062, A4063, A4065, präparative Messzellen der Bestellnummern A4066, A4067, A4068, A4069 und alle ZU View™ Mikromesszellen jeweils sowohl in Standardausführung als auch der Lichtleiterversion.

### Konventionen in diesem Handbuch

Pfeile wie diese :→ ↔, verwendet in Blockdiagrammen, bedeuten, dass der Anwender aufgefordert ist, die entsprechende Pfeiltaste zu betätigen. Die Wirkung der Pfeiltasten ist wie folgt definiert:

Pfeiltaste rechts: ▷      Pfeiltaste hoch: Δ      Pfeiltaste runter: ▽  
Pfeiltaste links: ◀.



**Wichtige Hinweise** werden in der Marginalspalte durch das Hinweissymbol kenntlich gemacht.



**Besondere Warnhinweise und Hinweise auf mögliche Probleme** sind mit dem Warnsymbol gekennzeichnet.



Ein nützlicher Tip wird in der Marginalspalte durch das Symbol hervorgehoben.



### SOP's in diesem Handbuch

Die Standardarbeitsanweisungen (**S**tandard **O**perating **P**rocedures, **SOP**) dieses Handbuches ermöglichen die Strukturierung zusammenhängender Aufgaben beim Betrieb Ihres Filterphotometers K-2001. Sie beinhalten schrittweise Anweisungen, die den Anwender durch alle Aufgaben führen. Sie können gleichfalls zu Dokumentationszwecken genutzt werden. Sie können kopiert, angewendet, unterzeichnet und abgelegt werden, um so die Leistungsfähigkeit Ihres Gerätes zu dokumentieren.

#### Wichtig!

**Bitte betreiben Sie das Gerät inklusive Zubehör gemäß der SOP's in diesem Handbuch. Andernfalls können fehlerhafte Meßergebnisse, Beschädigungen oder gesundheitliche Beeinträchtigungen des Anwenders eintreten, obwohl dieses Gerät außerordentlich robust und betriebssicher ist.**

<b>SOP 1</b>	Installation der Messzelle .....	41
<b>SOP 2</b>	Anschluss der Lösungsmittelleitung.....	42
<b>SOP 3</b>	WAGO-Anschlusssteckermontage.....	47
<b>SOP 4</b>	Auswechseln der Deuteriumlampe. ....	50
<b>SOP 5</b>	Auswechseln der Halogenlampe.....	50
<b>SOP 6</b>	Spülen der Messzelle.....	51
<b>SOP 7</b>	Reinigung analytischer Messzellen.....	51
<b>SOP 8</b>	Reinigung präparativer Messzellen.....	52
<b>SOP 9</b>	Festlegung der Länge präparativer Messzellen.....	52

## Das Filterphotometer K-2001

### Allgemeine Beschreibung

Das WellChrom Filterphotometer K-2001 ist ein hochwertiger neuer Detektor, der speziell für die Routineanalytik entwickelt worden ist. Es genügt allen GLP Erfordernissen eines geregelten Laborbetriebs.

Das Gerät wird in der Standardversion mit einer Deuteriumlampe und vier Filtern für die Wellenlängen 200, 220, 254 und 280 nm ausgeliefert. Optional können Sie auch eine Wolfram-Halogen-Lampe verwenden, sowie zwei zusätzliche Filter für Wellenlängen Ihrer Wahl einsetzen lassen.

Eine reichhaltige Palette von Messzellen für die KNAUER Photometer, von Nano-HPLC Zellen mit Flussraten >100 nL/min bis zu präparativen Messzellen mit bis zu 10 L/min, macht das Filterphotometer K-2001 im gesamten Bereich der LC Anwendungen hoch flexibel einsetzbar.

Darüber hinaus ist eine mit Lichtleiteranschlüssen der Messzellen ausgestattete Version des Filterphotometers K-2001 erhältlich. Diese gestattet eine räumliche Trennung von Messzelle und Detektor, wodurch ein Einsatz auch in gefährlicher Umgebung möglich wird.

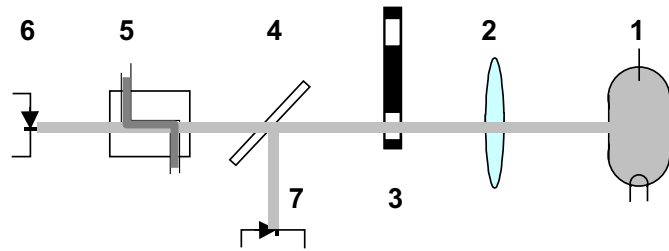
Das WellChrom Filterphotometer K-2001 führt nach jedem Einschalten einen Selbsttest durch.

Der hochempfindliche Detektor zeichnet sich durch geringes Rauschen ( $\pm 1 \times 10^{-5}$  AU) und ebenso durch eine geringe Basisliniendrift ( $5 \times 10^{-5}$  AU/h) aus. Der Auto-Zero-Bereich erstreckt sich über den gesamten Messbereich.

Die übersichtliche Folientastatur ermöglicht Ihnen eine sehr einfache Bedienung aller Grundfunktionen. Darüber hinaus können Sie ein Zeitprogramm für automatisch erfolgende Filterwechsel eingeben, speichern und ablaufen lassen. Dafür stehen Ihnen 10 Programmzeilen zur Verfügung. Sie können das Programm beliebig oft hintereinander ablaufen lassen.

Die Datenerfassung und die Steuerung des Filterphotometers K-2001 erfolgen digital, wodurch ein störungsfreies Arbeiten des Gerätes gewährleistet wird. Ein einstellbarer Analogausgang und die Option für eine analoge Fernsteuerung sind ebenfalls zugänglich. Weitere Merkmale des Filterphotometers K-2001 sind die Steuerung anderer Geräte über Event Outputs, die Steuerung eines Fraktionsammlers durch ein Zeitfenster und/oder die Signalhöhe.

### Optischer Weg im Filterphotometer K-2001



- |                                   |                              |
|-----------------------------------|------------------------------|
| 1. Lampe (Deuterium oder Halogen) | 2. Linse                     |
| 3. Wechselfilter                  | 4. Halbtransparenter Spiegel |
| 5. Messzelle                      | 6. Photodiode                |
| 7. Referenzdiode                  |                              |

Abb. 1

Optischer Weg im Filterphotometer K-2001

Aus dem von der Lampe (1) emittierten und durch die Linse (2) gebündelten Licht wird durch das ausgewählte Filter (3) die gewünschte Wellenlänge selektiert. Danach wird der Strahl durch einen semitransparenten Spiegel (4) geteilt. Ein Teilstrahl liefert das Referenzsignal (7). Der andere wird durch die Messzelle (5) geleitet, wonach die optische Absorption mit einer Photodiode (6) gemessen wird.

## Inbetriebnahme des Filterphotometers K-2001

### Auspacken

Alle KNAUER-Geräte werden ab Werk sorgfältig und sicher für den Transport verpackt. Prüfen Sie dennoch nach dem Auspacken alle Geräteteile und das Zubehör auf mögliche Transportschäden und machen Sie ggf. Schadenersatzansprüche sofort beim Transportunternehmen geltend.

Bitte überprüfen Sie anhand der Packliste das Zubehör auf Vollständigkeit. Sollte trotz unserer sorgfältigen Ausgangskontrollen ein Teil fehlen, wenden Sie sich bitte an unsere Serviceabteilung.

Entfernen Sie den Transportschutz vom Display und Messzellengehäuse.

### Standardauslieferung

WellChrom Spektralphotometer K-2001 ohne Messzelle

Bedienungshandbuch

Netzanschlusskabel 230 V

RS-232 Kabel

Integrator-kabel

Steckerleisten mit Anschlüssen

Analoganschlusskabel

### Steuerelemente des Filterphotometers K-2001

#### Frontansicht

1. Informationsdisplay
2. Folientastatur
3. Rändelschrauben zur Messzellenbefestigung
4. Messzellengehäuse
5. Messzellenhalterung
6. Messzellenausgang
7. Messzelle
8. Schichtdicke
9. Messzelleneingang

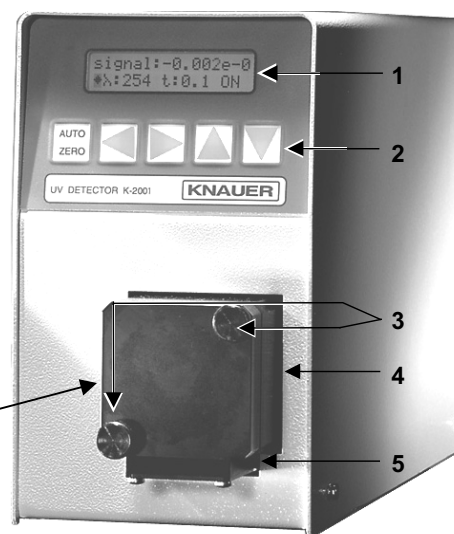
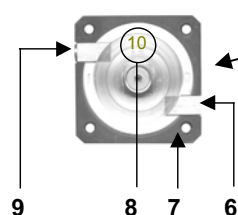


Abb. 2

Frontansicht des Filterphotometers K-2001 mit Messzelle

## Funktion der Folientastatur

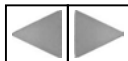
Die Folientastatur (2) in Abb. 2 „Frontansicht des Filterphotometers K-2001“ besteht aus vier Pfeiltasten und einer AUTOZERO-Taste.



Diese Taste dient zum automatischen Justieren der Basislinie. Die Taste wird in der Regel vor Beginn einer Chromatogramm-Aufzeichnung kurz gedrückt. Im SIGNAL-Menü wird das aktuelle Absorptionssignal Null gesetzt. Aus allen anderen Menüs erfolgt ein Rücksprung auf das SIGNAL-Menü.

### Pfeiltasten

Die gelben Pfeiltasten dienen der Cursorbewegung und -positionierung auf dem Display und zur Bestätigung der Eingabewerte.



Die Betätigung der Cursortasten ▷ „rechts“ oder ◁ „links“ bewegt den Cursor auf die einzelnen Eingabe- oder Schaltfelder und bestätigt eine erfolgte Eingabe oder Auswahl.



Mit den Cursortasten Δ „auf“ oder ▽ „ab“ können Sie den jeweils angesteuerten Parameter ändern bzw. Optionen auswählen.

## Rückansicht

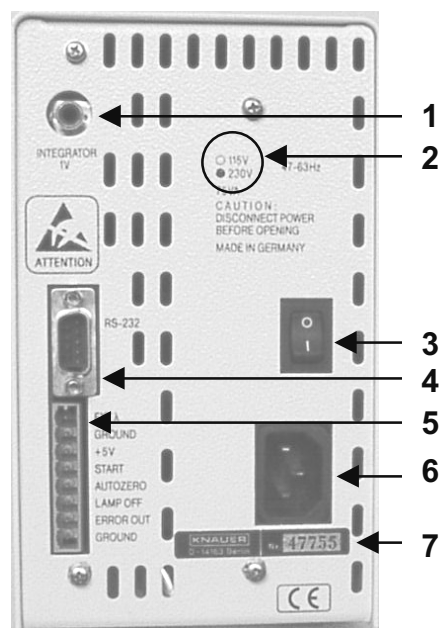


Abb. 3

Rückansicht des **Filterphotometers** K-2001

- 1 Analogausgang (zum Schreiber oder Integrator)
- 2 Markierung der eingestellten Betriebsspannung
- 3 Netzschalter
- 4 RS-232 Interface
- 5 Anschlussleiste für Fernsteuerung
- 6 Netzanschluss
- 7 Seriennummer

## Stromversorgung, Ein/Aus, Autotest

Das Filterphotometer K-2001 wird wahlweise mit einem 115 oder 230 Volt Wechselstrom von 47-63 Herz betrieben. Die Einstellung erfolgt werkseitig nach Kundenwunsch und kann bei Erfordernis durch den Service umgestellt werden. Die aktuelle Einstellung ist auf der Geräterückseite markiert (Abb. 4).



Abb. 4

Markierung der werkseitig eingestellten Betriebsspannung



**Stellen Sie sicher, dass die Netzspannung mit der auf der Geräterückseite markierten übereinstimmt, der Netzanschluss vorschriftsmäßig geerdet ist und ein entsprechendes drei-adriges Netzkabel verwendet wird.**

Verbinden Sie das Netzkabel mit dem Netzanschluss auf der Geräterückseite und schalten Sie das Photometer mit dem „EIN/AUS – Schalter“ an.

Nach dem Einschalten erscheinen auf dem Display kurzzeitig Informationen zum Gerät und der Versionsnummer:

*KNAUER	V 2.3
MINI-FIPHO	

Die beim Einschalten ablaufenden Selbsttests beinhalten eine Überprüfung der Elektronik und ein Autozero. Zuvor heizt sich die Lampe während etwa 20 Sekunden auf die konstante Arbeitstemperatur auf. Das Display hat derweil folgendes Aussehen:

signal:		-.----
♦λ:254	t:0.2	HEA

Die Startroutine wird durch ein Autozero abgeschlossen. Danach ist das Gerät einsatzbereit und das Display zeigt folgendes Erscheinungsbild:

signal:		0.0000
♦λ:254	t:0.2	ON

## Betrieb des Filterphotometers

### Aufbau der internen Software

Die Software ist in verschiedene Einzelmenüs gegliedert, in denen jeweils unterschiedliche Einstellungen und Betriebsabläufe möglich sind. Sie gelangen in die einzelnen Menüs, wenn sich der Cursor auf dem Rautenfeld befindet und Sie jetzt die  $\Delta$  oder die  $\nabla$  Taste betätigen. Wie in der Abb. 5 veranschaulicht, werden die Menüs in einer Endlosschleife aufgerufen.

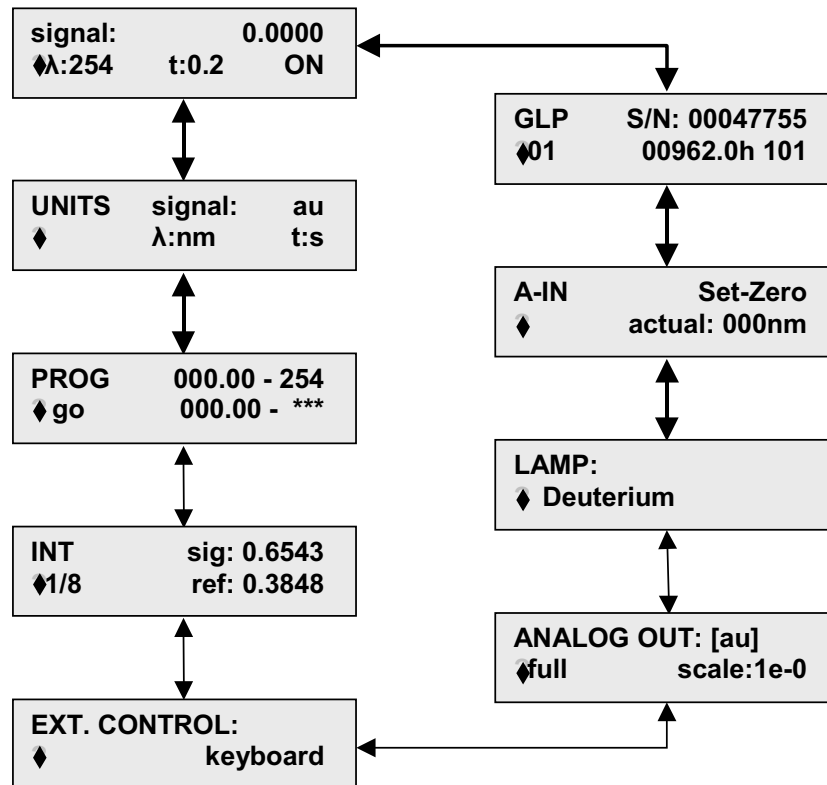


Abb. 5

Menüfolge des Filterphotometers K-2001

Im folgenden werden die einzelnen Menüs im Detail beschrieben. Generell gelangen Sie in jedem Menü durch die Betätigung einer der  $\triangleright$  oder der  $\triangleleft$  Tasten zum jeweils nächsten bzw. vorhergehenden Eingabefeld. Hier können Sie dann mittels der  $\Delta$  oder der  $\nabla$  Taste entweder die Eingabewerte erhöhen bzw. erniedrigen oder gegebenenfalls durch die möglichen Optionen scrollen. Mit einem Wechsel zu einem anderen Eingabefeld ( $\triangleright$  oder  $\triangleleft$  Taste) werden die eingegebenen Änderungen übernommen und bestätigt.

### Das SIGNAL-Menü

signal:	0.0000
♦λ:254	t:0.2 ON

Das Signal- oder Hauptmenü enthält die Angaben zur Signalintensität **signal:**, zur Wellenlänge **λ:**, zur Zeitkonstante **t:** und zum Einschaltstatus der Lampe.

Der aktuell gemessene Signalwert wird in Festkommadarstellung mit vier Dezimalstellen angezeigt. Die Messwellenlänge **λ:** können Sie standardmäßig von 200, 220, 254, 280 nm und gegebenenfalls optionalen Werten auswählen.

Mit Hilfe eines Zeitfilters können Sie eine Signalglättung auswählen. Sie können hierfür Zeitkonstanten **t:** mit den Werten von **0,1; 0,2; 0,5; 1; 2; 5** oder **10** Sekunden auswählen. Je größer der Wert der ausgewählten Zeitkonstante ist, um so stärker wird das Signal geglättet. Für die meisten analytischen Zwecke ist eine Zeitkonstante von **1s** am besten geeignet.

Schließlich können Sie in diesem Menü auch die Lampe ein- und ausschalten, was entsprechend durch **ON** bzw. **OFF** angezeigt wird.

### Das UNITS-Menü

UNITS	signal:	au
♦	λ:nm	t:s

Dieses Menü hat reinen Informationscharakter. Es zeigt Ihnen die Einheiten zu den Werten im SIGNAL-Menü. Änderungen sind hier nicht möglich.

### Das PROG-Menü

PROG	000.00-254
♦ go	000.00-***

Das Prog-Menü dient der Eingabe eines Zeitprogramms für den Wechsel der Wellenlängen für die Messung. Die Programmierung und auch die Programmausführung werden im Abschnitt *Programm-Eingabe* auf Seite 44 beschrieben. Inklusive der Start- und der Schlusszeile kann ein Programm maximal 11 Zeilen enthalten.

### Das INT-Menü

INT	sig:0.6543
♦1/8	ref:0.3848

Die Werte **sig** und **ref** geben die gemessenen Lichtintensitäten des Signal- bzw. Referenzkanals an. Die **sig** und **ref** Werte liegen im Bereich zwischen 0 und 1. Ihre Absolutwerte sind abhängig von der Wellenlänge, dem Lösungsmittel, der benutzten Messzelle und dem Alter der Lampe. Das Verhältnis der beiden Werte sollte zwischen 1:1,5 und 1:1,8 liegen. Deutliche Abweichungen hiervon deuten z.B. auf eine

Verschmutzung der Linse oder die zu hohe Absorption des Eluenten bei der aktuellen Wellenlänge.

Der in der zweiten Zeile angezeigte Wert **1/8** kann vom Nutzer nicht verändert werden. Er ist ein Maß für die Integrationszeit und ist nur im Servicefall von Interesse.

#### Das EXT. CONTROL-Menü

<b>EXT. CONTROL:</b> ♦ <b>keyboard</b>
---

In diesem Menü können Sie festlegen, ob Ihr gerät von anderen Geräten aus gesteuert werden soll (Externe Steuerung **analog**) oder im **stand-alone** Betrieb über die Tastatur gesteuert werden Soll (Einstellung **keyboard**)

#### Das ANALOG OUT-Menü

<b>ANALOG OUT:</b> [au] ♦full scale:            1e-0
---

Das ANALOG OUT-Menü dient der Kalibrierung des analogen Ausgangssignals. Das maximale Ausgangssignal ist generell 1 V. Sie können entsprechend der konkreten Situation festlegen, wieviel AU diesem Signalmaximum, das heißt einem **full scale**-Ausschlag entsprechen sollen. Sie können einen der vorgegebenen Werte von 1e-4, 2e-4, 5e-4, 1e-3, 2e-3, 5e-3, 1e-2, 2e-2, 5e-2, 1e-1, 2e-1, 5e-1, 1e-0, 2e-0, 5e-0 oder 1e+1 AU (entsprechend 0,0001, 0,0002, 0,0005, 0,001, 0,002, 0,005, 0,01, 0,02, 0,05, 0,1, 0,2, 0,5 1, 2, 5 bzw. 10 AU) auswählen.

#### Das Lamp-Menü

In diesem Menü erfolgt die Anpassung der Software an die aktuell eingesetzte Lampe. Die Optionen Deuterium und Halogen sind möglich.

<b>LAMP:</b> ♦ Deuterium
-----------------------------



Die Einstellung soll nur dann geändert werden, wenn ein Wechsel des Lampentyps vorgenommen worden ist. Stimmen eingestellter und tatsächlich eingebauter Lampentyp nicht überein, ist kein ordnungsgemäßer Betrieb des Gerätes möglich.

#### Das A-IN-Menü

<b>A-IN</b> <b>Set-Zero</b> ♦    actual:                000nm
--

Das A-IN-(Analog-IN)-Menü dient zur Kalibrierung des Analogeingangs zur automatischen Einstellung des Monochromators. Nach Aktivierung der **Set-Zero** Eingabefunktion wird das gerade anliegende Spannungssignal als Null definiert, Wellenlänge 000nm. Dann wird ein Signal angelegt, z.B. 5V. Das **actual** Feld zeigt dann die

ausgewertete Wellenlänge, die bei einer Vorgabe von  $1 \text{ V} = 100 \text{ nm}$ ,  $500 \text{ nm}$  sein sollte. Dieser Wellenlängenwert kann dann durch Betätigen der  $\nabla$  oder  $\Delta$  Tasten modifiziert werden, wodurch ein zweiter Kalibrierungspunkt erzeugt wird.

### Das GLP-Menü

<b>GLP</b>	<b>S/N:00047755</b>
<b>♦01</b>	<b>00962.0h 101</b>

Das GLP Menü gibt Berichte über die Einsatzstatistik des Photometers. Es werden die Seriennummer des Gerätes angezeigt, die Anzahl der eingesetzten Lampen, die Betriebsstunden der aktuellen Lampe sowie die Anzahl der Lampenstarts.

Mit einer der  $\triangleright$  oder  $\triangleleft$  Tasten gelangen Sie auf den Lampenzähler. Wenn Sie jetzt eine der  $\Delta$  oder  $\nabla$  Tasten betätigen, **erhöht** sich der Wert des Lampenzählers. Gleichzeitig werden der Betriebsstundenzähler und der Startzähler auf Null zurückgesetzt.



**Verwenden Sie diese Funktion nur, wenn Sie eine neue Lampe eingesetzt haben! Sie kann nicht rückgängig gemacht werden.**

### Installation der Messzelle

Die Lieferkonfiguration des Filterphotometers K-2001 beinhaltet keine Messzelle. Das Gerät wird mit einer sogenannten Dummyzelle ausgeliefert, die kein Linsensystem beinhaltet und mit der Durchflussmessungen nicht möglich sind. Vor dem Einsatz des Photometers muss eine aus der Palette der von KNAUER lieferbaren Messzellen installiert werden.



Das Gerät oder die Lampe brauchen für einen Wechsel der Messzelle nicht abgeschaltet zu werden. Beim Abnehmen der Messzelle wird in der oberen Displayzeile die Fehlermeldung **intens.overflow** angezeigt, weil der AD-Wandler durch den Lichteinfall übersteuert wird. Dies ist **kein** Gerätefehler! Nach ordnungsgemäßem Einsetzen der neuen Messzelle verschwindet die Meldung durch Betätigung einer beliebigen Taste.

### SOP 1

Die folgende Anweisung gilt für das Filterphotometer K-2001 ohne Glasfaseroptik, siehe Abb. 2 „Frontansicht des Filterphotometers K-2001“ auf Seite 35.

1. Lösen und entfernen Sie die beiden Rändelschrauben (3) von Hand.
2. Ziehen Sie das Messzallengehäuse heraus.
3. Nehmen Sie die darin befindliche Zelle oder Dummyzelle mit zwei Fingern nach oben heraus.

4. Führen Sie die neue Messzelle (7) ein und vergewissern Sie sich, dass die eingravierte Spezifikation (8) zu Ihnen zeigt und der Metallstift des Photometergehäuses in die entsprechende Fixierungsöffnung auf der Rückseite der Zelle passt.
5. Schieben Sie nun das gesamte System an das Gehäuse, führen die beiden Schrauben ein und ziehen diese manuell fest.

## Kapillaranschluss an ein HPLC-System



**Wenn Sie eine flüssigkeitsgefüllte Messzelle in Betrieb nehmen, vergewissern Sie sich bitte, dass das benutzte Lösungsmittel mit dem vorher verwendeten mischbar ist. Anderenfalls führen Sie bitte eine Zwischenspülung mit einem mit beiden Flüssigkeiten mischbaren Medium aus.**

### SOP 2

Anschluss der Lösungsmittleitung

Die folgende Anweisung gilt für das Filterphotometer K-2001.

1. Verbinden Sie den Ausgang der HPLC-Säule mit der Eingangsverschraubung der Messzelle (links oben).



Verwenden Sie hierfür DYNASEAL-Verschraubungen und zur Minimierung des Totvolumens eine möglichst kurze Kapillare mit kleinem Innendurchmesser.

2. Führen Sie die Verschraubung, den Zangenschneidring und den Dichtring auf die Kapillare. Achten Sie auf Reihenfolge und Ausrichtung der Fittings, siehe Abb. 6 „DYNASEAL Kapillarverbindungen“.
3. Schieben Sie die Kapillare bis zum Anschlag in den Messzelleneinlass ein.
4. Ziehen Sie die Verschraubung mit den Fittings handfest an.
5. Die Ausgangsverschraubung (rechts unten) analytischer Messzellen verbinden Sie mit Hilfe einer Kapillare oder eines Teflonschlauchs (ID > 0,5 mm) mit der Abfallflasche.

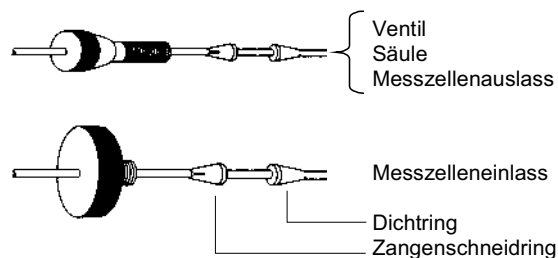


Abb. 6

*DYNASEAL Kapillarverbindungen*

Die Kapillarführung für ein einfaches isokratisches HPLC-System wird in der folgenden Abbildung veranschaulicht, in der zur besseren Übersichtlichkeit das Filterphotometer K-2001 nur als Messzelle und die Pumpe nur als Pumpenkopf dargestellt sind.

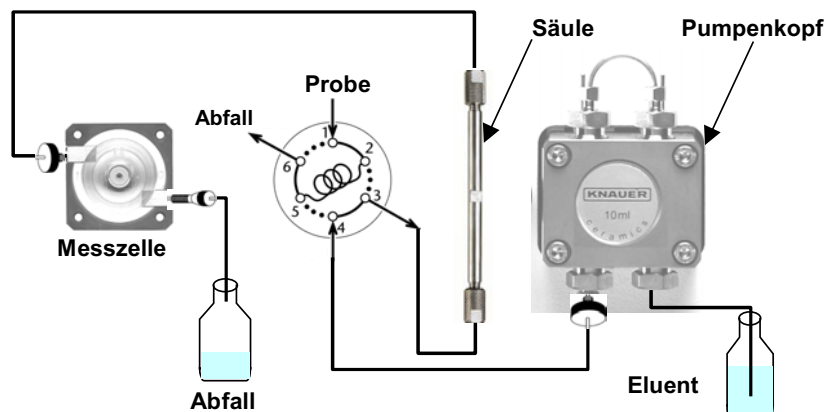


Abb. 7 Isokratisches HPLC-System

### Direkte Steuerung des Filterphotometers K-2001

Im folgenden wird die Inbetriebnahme und Konfigurierung des Filterphotometers beschrieben.

Schalten Sie das Gerät ein und beachten Sie dabei die im Abschnitt *Stromversorgung, Ein/Aus, Autotest* auf Seite 37 gegebenen Hinweise.



**Das Gerät soll vor der ersten Messung ca. 15 Minuten bei eingeschalteter HPLC-Pumpe warmlaufen. Für sehr empfindliche Messungen ist gegebenenfalls auch eine längere Aufwärmphase notwendig.**

Wenn sich das Gerät nach Durchlauf der Startroutine mit dem Display

**Instrument is in  
EXTERNAL mode!**

meldet, wird das Gerät extern, das heißt von anderen Geräten gesteuert. Um das Gerät direkt steuern zu können, stellen Sie es bitte im EXT. CONTROL-Menü (siehe Seite 40) wieder auf **keyboard**-Steuerung ein.

Die Lampe startet grundsätzlich bei jedem Einschalten des Gerätes automatisch. Sie kann im SIGNAL-Menü jederzeit ein- bzw. ausgeschaltet werden (siehe Seite 39).

Stellen Sie, ebenfalls im SIGNAL-Menü, die gewünschte Wellenlänge ein und wählen anschließend die für Ihre Anwendung geeignete Zeitkonstante aus.

Grundsätzlich ist Ihr Photometer nun für die Aufnahme einfacher Chromatogramme einsatzbereit.

## Zeitprogrammierte Chromatogrammaufnahme

### Programm-Eingabe

Programme können für die Festsetzung oder Änderung der Wellenlängen während der Runs benutzt werden.

Gehen Sie wie auf Seite 38 beschrieben in das PROG-Menü. Sie erhalten, sofern kein Programm gespeichert ist das folgende Display:

<b>PROG</b>	<b>000.00-254</b>
<b>◆ go</b>	<b>000.00-***</b>

In der ersten Zeile des Programms steht als Startzeitpunkt immer **000.00** (0 Minuten, 0 Sekunden) und eine aktuelle Wellenlänge. Die folgende Zeile enthält die selbe Zeitangabe wie die vorhergehende und als Wellenlängenangabe "\*\*\*". Dies ist sowohl die Schlusszeile, als auch die Eingabezeile für eine Fortschreibung des Programms.



Sie gelangen durch die Betätigung einer der ▷ oder ◁ Tasten zum jeweils nächsten bzw. vorhergehenden Eingabefeld. Hier können Sie dann mittels der Δ oder der ∇ Taste entweder die Eingabewerte erhöhen bzw. erniedrigen. Mit einem Wechsel zu einem anderen Eingabefeld (▷ oder ◁ Taste) werden die eingegebenen Änderungen übernommen und bestätigt.



**Aus den Programmeingabefeldern gelangen Sie auch durch Betätigen der AUTO-ZERO-Taste zum Menüselektor (Rautenfeld) zurück.**

Geben Sie in der Schlusszeile eine Zeit ein. Erst danach wird das Eingabefeld für Änderungen der Wellenlänge in dieser Zeile zugänglich. Es ist nicht möglich, einen kleineren Zeitwert als in der Vorgängerzeile einzugeben. Dadurch bleibt der logische Programmablauf immer gewährleistet.

Inklusive der Start- und der Schlusszeile kann ein Programm maximal 11 Zeilen enthalten. Sie können also in einem Programmdurchlauf bei maximal 10 verschiedenen Wellenlängen messen.



**Vorsicht! Wenn Sie in einer bestehenden Zeile die Zeit der vorangehenden Zeile eingeben, wird diese Zeile zur Schlusszeile. Das bedeutet, dass alle zeitlich danach liegenden Zeilen gelöscht werden!**



Um ein Programm völlig zu löschen, geben Sie in der zweiten Programmzeile den Zeitwert **000.00** (0 Minuten, 0 Sekunden) ein.

### Programm-Ausführung

Ein Programm kann sowohl über ein externes Signal gestartet werden (Abschnitt *Belegung der Fernsteuerungsanschlussleiste* auf Seite 45), als auch manuell durch Betätigen der Δ oder der ∇ Taste, wenn sich der Cursor auf dem **go** Eingabefeld befindet.

Ein laufendes Programm wird durch die Anzeige **RUN** indiziert. Gleichzeitig wird der aktuelle Messwert (**signal**) angezeigt, wie auch die laufende Programmzeit und die aktuelle Wellenlänge.

signal:	0.4567
RUN	001.30-254

Nach jedem programmbedingten Wellenlängenwechsel wird ein AUTO-ZERO durchgeführt.

Ein laufendes Programm kann jeder Zeit durch die Betätigung einer beliebigen Taste abgebrochen werden. Beim Verlassen des Programms gelten die zuletzt gültigen Einstellungen weiterhin. Auch beim Abschalten des Gerätes bleibt das zuletzt eingegebene Programm erhalten.

## Verbindung anderer Geräte mit dem Filterphotometer K-2001

### Verwendung der Fernsteuerungsleiste

Der Fernsteuerungsanschluss auf der Geräterückseite des Filterphotometers K-2001, Pos. 5 in Abb. 3 auf Seite 36, dient zum Senden und Empfangen von Start- oder Fehlersignalen an oder von anderen Geräten. Zum Beispiel können die von einem Injektionsventil oder einem Autosampler ausgehenden Startsignale auf den START Eingang gelegt werden. Alle Spannungen müssen zwischen Erde und dem jeweils entsprechenden Ausgang geschaltet werden.



**Bitte vermeiden Sie die Berührung der elektrischen Kontakte der Anschlussleisten. Elektrostatische Entladungen bei der Berührung der Kontakte können zur Zerstörung der Geräteelektronik führen.**



Für den ferngesteuerten Betrieb muss das Photometer im EXT. CONTROL-Menü auf Externe Steuerung (`ana1og`) eingestellt werden (siehe Seite 40).

### Belegung der Fernsteuerungsanschlussleiste

Von den acht Positionen der Fernsteuerungsleiste dienen zwei als Groundanschlüsse, einer als Fehlerausgabeeanschluss und vier als Steuerungsanschlüsse:

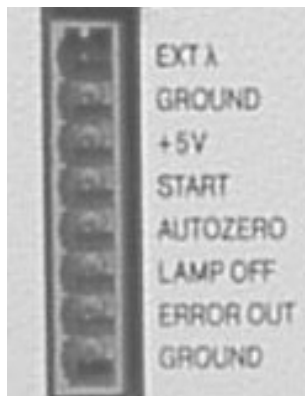


Abb. 8

Fernsteuerungsanschlüsse

<b>EXT <math>\lambda</math></b>	Steuerspannungseingang zur automatischen Wellenlängenauswahl
<b>+5V</b>	<b>Vorsicht! Dieser Anschluss darf nicht belegt werden. Er dient nur für spezielle Servicefälle</b>
<b>START</b>	Ein Kurzschluss nach GROUND löst einen Programmablauf aus (vergl. <i>Programm-Ausführung</i> auf Seite 44).
<b>AUTOZERO</b>	Ein Kurzschluss nach GROUND löst ein Auto-Zero aus. Eine Messung wird erst nach Abschalten des Zero-Signals wieder möglich.
<b>LAMP OFF</b>	Ein Kurzschluss nach GROUND bewirkt ein Abschalten der Lampe ( <b>OFF</b> im Signal-Menü). Ein offener Eingang bewirkt ein Einschalten der Lampe ( <b>ON</b> )
<b>ERROR OUT</b>	Fehlersignal(TTL, open collector) Er verbleibt so lange aktiv wie ein Fehler angezeigt wird, z.B. die Lampe nicht startet.

Die folgende Abb. 9 veranschaulicht die elektrischen Verbindungen des Filterphotometers K-2001 mit der KNAUER-Interface Box.

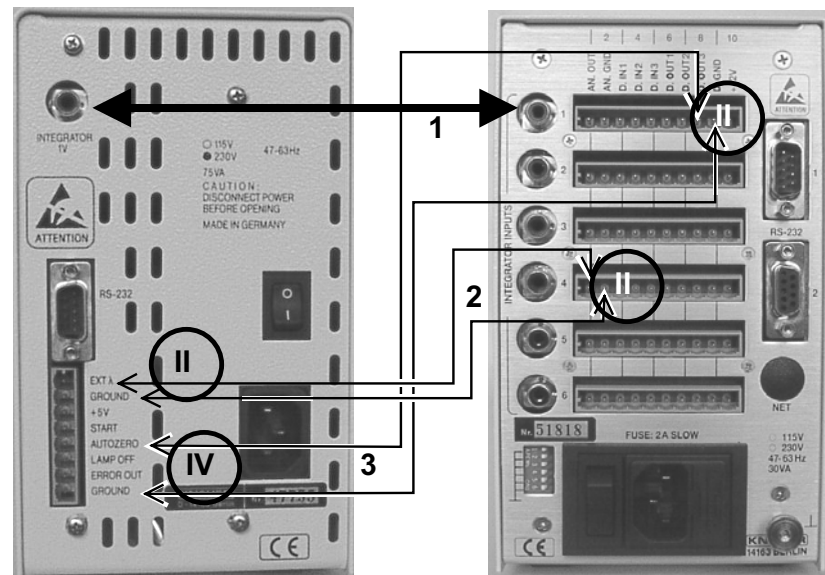


Abb. 9

Verbindung des Filterphotometers K-2001 mit der KNAUER-Interface Box

Die Verbindung 1 (Integratorausgang) wird mit einem Cinch-Cinch-Verbindungskabel hergestellt. Für die Anschlüsse 2 und 3 verwenden Sie Kabel, deren Steckermontage im nachfolgenden Abschnitt beschrieben wird. Sie benötigen für die Verbindung 2 zwei 2-polige Stecker (II) und für die Verbindung 3 je einen 2- bzw. 4-poligen Stecker (IV).

## Montage der WAGO-Anschlussstecker

Für die elektrischen Verbindungen mit anderen Geräten werden die im Zubehör enthaltenen WAGO-Stecker mit 2, 3 oder 4 Anschlüssen verwendet. Sie werden wie folgt montiert.

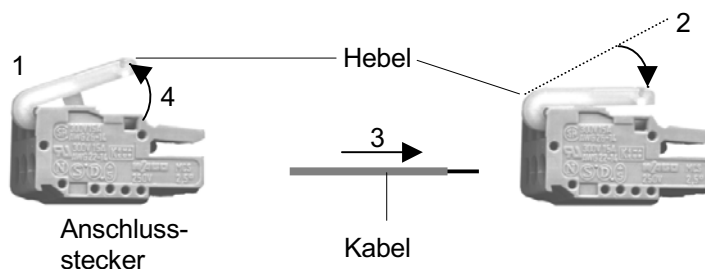


Abb. 10

Montage der Anschlussstecker

### SOP 3

#### WAGO-Anschlusssteckermontage

1. Führen Sie die abgerundete Seite des Hebelwerkzeugs am ausgewählten Anschluss in die quadratische Öffnung des Steckers.
2. Drücken Sie den Hebel wie durch den Pfeil angezeigt nach unten fest.
3. Führen Sie das nicht isolierte Ende des Kabels in die Öffnung unter dem Hebel ein.
4. Öffnen Sie den Hebel und entfernen Sie das Hebelwerkzeug vom Stecker.

Das Kabel ist jetzt im WAGO-Anschlussstecker gut verankert.

## Softwaresteuerung des Filterphotometers K-2001

Die vollen Möglichkeiten des Filterphotometers K-2001 werden erst beim Betrieb unter einem der HPLC Softwarepakete EuroChrom® für Windows oder ChromGate® zugänglich.



Abb. 11

HPLC-Softwarepakete

In diesem Kapitel werden die für die Arbeit mit dem K-2001 UV Detektor unter EuroChrom® oder ChromGate® am Detektor notwendigen Anschlüsse erklärt. Bezüglich detaillierterer Informationen zu den Merkmalen der Software und zur Arbeit mit ihr informieren Sie sich bitte im jeweiligen Softwarehandbuch.



**Wird das Photometer softwaregesteuert betrieben, darf kein Programm im PROG-Menü gespeichert sein!** Nur dann wird ein START-Signal als Befehl zum Starten der Messung interpretiert. Sobald jedoch ein Programm geladen ist, wertet die interne Gerätesoftware ein START-Signal als Aufforderung, dieses Programm zu starten.

### **RS 232 Serielle Schnittstelle**

Die RS 232 Schnittstelle auf der Geräterückseite, Pos. 4 in Abb. 3 auf Seite 36, ermöglicht den digitalen Datenaustausch zwischen dem Filterphotometer K-2001 und einem PC mit HPLC-Software (EuroChrom<sup>®</sup> oder ChromGate<sup>®</sup>). Verbinden Sie diese Schnittstelle direkt oder gegebenenfalls unter Verwendung einer Schnittstellenerweiterung mit dem **COM-Port** Ihres Computers.



Für den softwaregesteuerten Betrieb muss das Photometer im EXT. CONTROL-Menü wie im **stand-alone** Betrieb auf **keyboard** eingestellt werden (siehe Seite 40).

## Einfache Wartung

### Kontrolle der Lampenfunktion

Die im Photometer K-2001 eingesetzte Deuteriumlampe garantiert eine Langzeitfunktionalität und zuverlässige Messungen mit geringem Rauschen und geringer Basisliniendrift zusammen mit einer hohen Empfindlichkeit. Die tatsächliche Nutzungsdauer der Lampe ist von verschiedenen Einflussfaktoren abhängig, wie der Anzahl der Lampenzündungen, der durchschnittlichen Leuchtdauer oder Ihren Anforderungen bezüglich Rauschen und Empfindlichkeit.

Um die Funktionsfähigkeit der Lampe zu prüfen, liefern die beiden Intensitätswerte **sig** und **ref**, die Sie im Untermenü INT-Menü finden, hilfreiche Informationen. Der **ref** Wert entspricht der Lichtintensität im Referenzstrahl und kann zum Test der Lampenqualität genutzt werden.

Bei der Auslieferung ist dieser Wert im Bereich von 0,39 bis 0,78 eingestellt, gemessen mit der Dummyzelle bei einer Wellenlänge von 254 nm.

Wir empfehlen den **ref** Wert in regelmäßigen Abständen unter den oben genannten Bedingungen (Dummyzelle,  $\lambda = 254$  nm) zu überprüfen. Dies gilt insbesondere, wenn zunehmendes Rauschen oder nachlassende Empfindlichkeit bei der Messung mit dem Filterphotometer K-2001 beobachtet werden. Treffen diese Beobachtungen mit einem Abfall des **ref** Wertes auf 0,1 oder darunter zusammen, sollte die Deuteriumlampe durch eine neue ersetzt werden.

### Lampenwechsel



**Ziehen Sie den Netzstecker heraus, bevor Sie das Gerät öffnen. Bitte lassen Sie die Lampe mindestens 15 Minuten nach dem Ausschalten abkühlen.**

Vorgehensweise beim Lampenwechsel (siehe Abb. 12 bis Abb. 14)

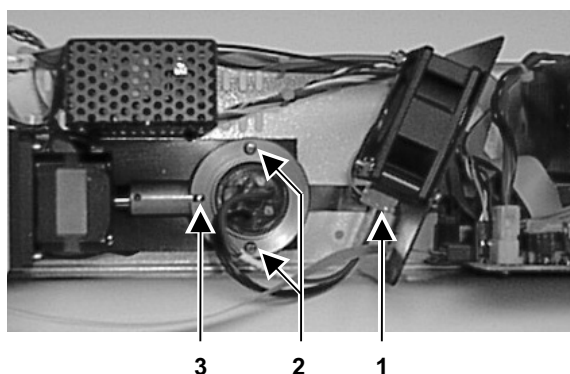


Abb. 12

Draufsicht auf das Filterphotometer K-2001 bei entferntem Gehäuse

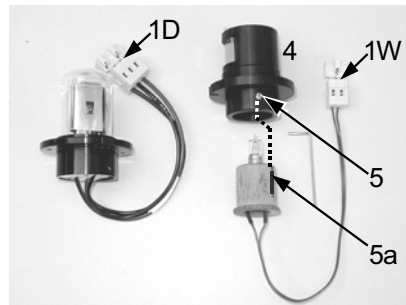


Abb. 13 Lampenanordnung

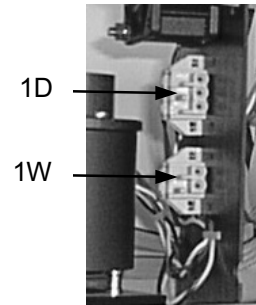


Abb. 14 Lampenanschlüsse



**Berühren Sie nicht den Glaskörper der Lampe. Sollte dies versehentlich geschehen, reinigen Sie bitte den Glaskörper mit einem fusselfreien Tuch und i-Propanol.**

#### SOP 4

Auswechseln der Deuteriumlampe. Diese Anweisung gilt für das Filterphotometer K-2001.

1. Lösen Sie die drei-polige Verbindung der Lampe (Pos. 1D), entfernen Sie die beiden Schrauben (Pos. 2) und ziehen Sie die Lampe vorsichtig heraus.
2. Beim Einsatz einer neuen Lampe achten Sie auf den korrekten Sitz der Lampe in der Führung (Pos. 3).
3. Ziehen Sie die Schrauben an und stecken den Dreipolverbinder wieder ein (Pos. 1D).
4. Erhöhen Sie den Lampenzähler im GLP-Menü. Der Betriebszeitzähler erfährt dadurch ein automatisches Reset.
5. Setzen Sie das Gehäuse wieder auf und schrauben es fest.
6. Überprüfen Sie die Intensitätswerte im INT-Menü.



**Hinweis: Wird eine neue Lampe installiert, erreicht sie ihre optimale Leistungsfähigkeit erst nach etwa 24 Stunden Einbrennzeit.**

#### SOP 5

Auswechseln der Halogenlampe. Diese Anweisung gilt für das Filterphotometer K-2001.

1. Ziehen Sie den zweipoligen Stecker aus der Lampe, (Pos. 1T.), entfernen Sie die beiden Schrauben (Pos. 2) und ziehen Sie die Lampe mit Sockel (Pos. 4) vorsichtig heraus.
2. Lockern Sie die Madenschraube im Sockel (Pos. 5) und ziehen Sie die Wolfram-Halogen-Lampe heraus.
3. Beim Einsatz einer neuen Lampe achten Sie auf den korrekten Sitz der Lampe in der Führung, (Pos. 5, 5a) und ziehen Sie die Madenschraube fest.
4. Installieren Sie den Sockel mit der Wolfram-Halogen-Lampe, ziehen Sie die Schrauben (Pos. 2) wieder fest und führen Sie den 2-Polstecker ein.
5. Setzen Sie das Gehäuse wieder auf und schrauben es fest.
6. Erhöhen Sie den Lampenzähler im GLP-Menü. Der Betriebszeitzähler erfährt dadurch ein automatisches Reset.
7. Überprüfen Sie die Intensitätswerte im INT-Menü.

## Messzellenreinigung

Ein Rauschen der Basislinie und verringerte Empfindlichkeiten können durch eine verschmutzte Messzelle auftreten. Dies wird auch durch einen niedrigen **sig** Wert im Signal Menü beim Spülen der Messzelle mit reinem Lösungsmittel angezeigt. Häufig genügt es, die Messzelle entsprechend der folgenden SOP zu spülen.

### SOP 6

Spülen der Messzelle

1. Reinigen Sie die Messzelle mit einem der folgenden Lösemittel SDS (Natriumdodecylsulfat), 1m HCl, 1m NaOH, Ethanol oder Aceton.
2. Spülen Sie die Zelle unter Verwendung einer Spritze und lassen Sie das Lösemittel ca. 5. min einwirken.
3. Spülen Sie die Zelle anschließend mit viel Wasser. Anschließend wird die Zelle im Stickstoffstrom getrocknet.



**Verwenden Sie keine Pressluft zum Trocken, da diese häufig mikroskopisch kleine Öltröpfchen enthält, die sich in der Zelle niederschlagen können.**



**Wird die Messzelle nicht verwendet, sollte sie mit 10-25%igem Ethanol oder Isopropanol gefüllt werden.**

Sollte das Spülen keinen ausreichenden Effekt erbringen, können alle Messzellen zur Reinigung der Linsen leicht demontiert werden.

## Analytische Messzellen

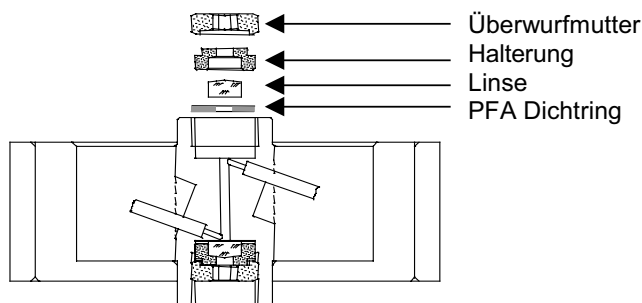


Abb. 15

Schnittbild einer analytischen Messzelle

### SOP 7

Diese Beschreibung gilt für die analytischen Messzellen A4061, A4062, A4063 und A4065.

1. Lösen Sie die Überwurfmutter mit dem 3 mm Sechskantschlüssel, der mit der Messzelle ausgeliefert wurde.
2. Entfernen Sie die schwarze Linsenhalterung mit einer Pinzette oder durch vorsichtiges Abtippen auf eine saubere Fläche. Die in die Halterung eingelagerte Linse ist gegen den Fließpfad mit einer PTFE Dichtung abgedichtet. Diese Dichtung sollte bei jeder Linsendemontage gewechselt werden.
3. Nehmen Sie die Linse heraus und reinigen Sie diese mit einem sauberen weichen Tuch oder mit einem geeigneten Lösungsmittel in einem Ultraschallbad. Achten Sie darauf, die saubere Linse nicht mit den Fingern zu berühren.
4. Setzen Sie die Messzelle in umgekehrter Reihenfolge wieder zusammen und achten Sie darauf, dass die PTFE Dichtung nicht den Strahlengang unterbricht.

5. Ziehen sie die Überwurfmutter sorgfältig mit dem Schlüssel fest, um eine Beschädigung der Linse zu vermeiden.

### Präparative Messzellen

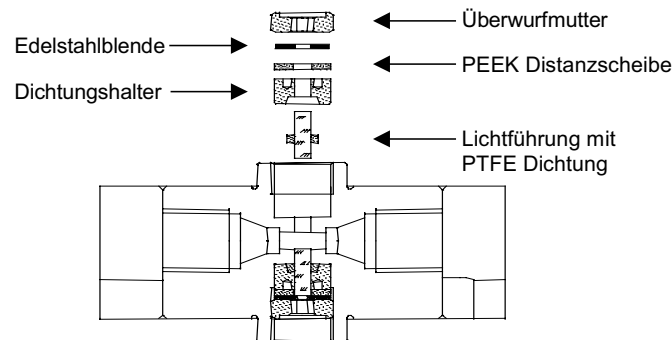


Abb. 16

Schnittbild einer präparativen Messzelle

### SOP 8

Diese Beschreibung gilt für die präparativen Messzellen A4066, A4067, A4068 und A4069.

Die präparativen Messzellen haben eine stabförmige Lichtführung anstelle der konkaven Linse analytischer Zellen.

1. Lösen Sie die Überwurfmutter mit einem Sechskantschlüssel.
2. Entfernen Sie die Edelstahlblende und die PEEK Distanzscheibe (nicht vorhanden in A4069).
3. Nehmen Sie die Halterung mit der Lichtführung heraus indem Sie sie mit einer Pinzette an den beiden äußeren Kerben erfassen.
4. Schieben Sie die Lichtführung heraus und streifen Sie zur Reinigung der Linse die PTFE Dichtung ab.
5. Setzen Sie die Messzelle in umgekehrter Reihenfolge wieder zusammen und verwenden Sie bei jeder Zellendemontage einen neuen PTFE Dichtungsring, um die stabile Dichtheit der Zelle zu sichern.

### Festlegung der Länge präparativer Messzellen

### SOP 9

Diese Beschreibung gilt für die präparativen Messzellen A4066, A4067 und A4068 mit 1/8" oder 1/4" Anschlüssen. Die Messweglänge kann auf 2; 1,25 oder 0,5 mm eingestellt werden. Bei der Auslieferung ist die Messweglänge werkseitig auf 2 mm eingestellt. Zur Reduzierung der Weglänge auf 1,25 oder 0,5 mm verfahren Sie bitte folgendermaßen:

1. Lösen Sie die Überwurfmutter mit einem Sechskantschlüssel.
2. Entfernen Sie die Edelstahlblende und die PEEK Distanzscheibe.
3. Setzen Sie die Edelstahlblende wieder ein und ziehen Sie die Mutter wieder sorgfältig fest.

Durch das Fehlen der Distanzscheibe wird die Lichtführung tiefer in die Messzelle hinein geschoben (0,75 mm), was eine Verkürzung der Messweglänge auf 1,25 mm zur Folge hat. Um eine weitere Verkürzung auf 0,5 mm zu erreichen, verfahren Sie auf der anderen Zellenseite in analoger Weise.

Um die Messweglänge in Schritten von 0,75 mm wieder zu vergrößern, setzen Sie die Distanzscheiben wieder ein.

4. Lösen Sie die Überwurfmutter, entfernen Sie die Edelstahlblende und nehmen Sie die Halterung mit Lichtführung mit einer Pinzette heraus.
5. Schieben Sie die Lichtführung ungefähr 1 mm nach außen, um die Weglänge zu vergrößern. Verwenden Sie bitte ein sauberes Tuch und vermeiden Sie die Berührung der Lichtführung mit den Fingern.
6. Fügen Sie die Halterung wieder in die Zelle ein.
7. Setzen Sie die PEEK Distanzscheibe und dann die Edelstahlblende ein.
8. Ziehen Sie die Mutter wieder sorgfältig fest.

Beim Anziehen der Überwurfmutter wird die stabförmige Lichtführung in die richtige Position in der Zelle geschoben. Das Einsetzen einer Distanzscheibe vergrößert so die Messweglänge um 0,75 mm. Bei einer Veränderung der Messweglänge braucht die PTFE Dichtung nicht ausgewechselt werden.

### Messzellen mit Lichtleiteranschluss

Die Änderung der Messlänge bei Zellen mit Lichtleiteranschluss erfolgt in gleicher Weise. Bei diesen Zellen ist die Überwurfmutter durch ein spezielles Anschlussstück ersetzt (Abb. 17). Zusätzlich befindet sich in diesen Zellen eine Linse zur Fokussierung des Lichtes auf den Lichtleiter.

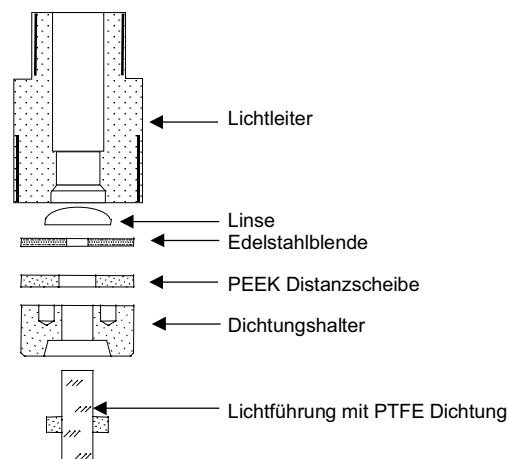


Abb. 17

Lichtleiteranschluss einer präparativen Messzelle

## Fehlermeldungen und ihre Ursachen

Fehlermeldung	mögliche Ursache	Beseitigung
<b>Deuterium lamp don't start</b>	Lampe defekt	Lampe wechseln
	Halogenlampe installiert und Lamp-Menü auf Deuteriumlampe belassen	Einstellung im Lamp-Menü ändern
<b>ERROR zero position!</b>	Gerät findet die 0-Position nicht	Schalten Sie das Gerät zur Kalibrierung aus und wieder ein
	Deuteriumlampe installiert und Lamp-Menü auf Halogenlampe belassen	Einstellung im Lamp-Menü ändern
<b>Intensity overflow</b>	Zu starker Lichteinfall, z.B. beim Messzellenwechsel	Betätigung einer beliebigen Taste nach Abschluss der Messzelleninstallation.
<b>ERROR: moving filter wheel</b>	Das Filterrad bewegt sich aus irgend einem Grunde nicht	Falls Ursache nicht offensichtlich, wenden Sie sich bitte an unseren Service

Erscheint nur die Fehlermeldung **ERROR** auf dem Display, drücken Sie eine beliebige Taste um fortzufahren. Bei wiederholten Problemen mit Lampenstart oder Kalibrierung wenden Sie sich bitte an unseren Service.



Die Fehlermeldung **ERROR** auf dem Display unterbricht ein laufendes Programm im Spektralphotometer K-2501 so lange, bis sie eine beliebige Taste gedrückt haben oder extern ein neuer Programmstart ausgelöst worden ist. Ein Signal-Überlauf (**signal overflow**) führt nicht zu einer Programmunterbrechung.

## Ersatzteile und Zubehör

### Messzellen für das Filterphotometer K-2001

Alle Messzellen sind auch mit Lichtleiteranschlüssen für den Einsatz in der Lichtleiterversion des K-2001 Photometers lieferbar.

#### Analytische Durchflusszellen

Bestellnr. Zelltyp	Schichtdicke (mm); Anschluss	Innendurchmesser (mm)	Volumen (µL)	Material	Flussrate (mL/min)	Zul. Höchstdruck (bar)
A4061	10 mm; 1/16"	1,1	10	Edelstahl, mit Wärmeaustauscher	20	300
A4042	3 mm; 1/16"	1,0	2	Edelstahl	50	300
A4045	3 mm; 1/16"	1,0	2	PEEK	50	30

#### Präparative Durchflusszellen

A4066	0,5/1,25/2 mm 1/8"			Edelstahl	1.000	200
A4067	0,5/1,25/2 mm 1/8"			PEEK	1.000	100
A4068	0,5/1,25/2 mm 1/4"			Edelstahl	10.000	200
A4069	0,5 mm 1/16"			Edelstahl	250	200
A4095	0,5 mm 1/16"			PEEK	250	100

#### U-Z View™ Mikro-Durchflusszellen

A4091	8 mm 1/16"	0,150	0,140	Quarzglas	0,10	500
A4092	8 mm 280 µm	0,015	0,035	Quarzglas	0,01	500
A4093	8 mm 280 µm	0,020	0,003	Quarzglas	0,001	500
CE Zelle:						
A4097	1 mm 280 µm			Edelstahl		

#### Ersatzteile

A4071	Deuteriumlampe
A4072	Halogenlampe
A4073	Halogenlampe mit Sockel (erforderlich für die Erstinstallation einer Halogenlampe)
M1642	Netzanschlusskabel
A0884	RS-232 Verbindungskabel
A1402	Steckerleistensatz (3x4; 2x3; 1x2 Anschlüsse) inklusive Hebelwerkzeug
G1023	Integrator-kabel
M1588	Analoganschlusskabel
A1467	Flachbandkabel, 10-polig
A1131	Reparatursatz für analytische Messzellen
A1132	Reparatursatz für präparative Messzellen

## Technische Daten

Wellenlängen	200, 220, 254 und 280 nm Andere Filter auf Anforderung
Bandweite	20 nm
Lampen	Deuterium (Standard), Halogen (optional)
Empfindlichkeit	$2 \times 10^{-5}$ AU bei 254 nm und Zeitkonstante 1.0 s
Rauschen	$1 \times 10^{-5}$ AU bei 254 nm
Basisliniendrift	$15 \times 10^{-5}$ AU/h bei 254 nm
Zeitkonstanten	0.1/ 0.2 / 0.5 /1.0 / 2.0 / 5.0 / 10.0 s
Skalierbarer Integratorausgang	$\pm 1,0$ V in 16 Stufen einstellbar
Autozerobereich	Gesamtbereich
Anzeige	2 x 16 Zeichen
Steuerung	RS 232 Schnittstelle, Analogausgang, Fernsteuerungsanschlüsse,
Netzanschluss	115/230 V, 47 - 63Hz, 75 VA
Gewicht	4 kg
Abmessungen	106 x 185 x 340 mm (B x H x T)
GLP-Unterstützung	detaillierter Nachweis mit Betriebsstunden der Lampe, Anzahl der Lampenzündungen, Serviceinformationen

## Konformitätserklärung

### Name des Herstellers

Wissenschaftliche Gerätebau  
Dr. Ing. Herbert KNAUER GmbH

### Anschrift des Herstellers:

Hegauer Weg 38  
14163 Berlin, Deutschland

erklärt in alleiniger Verantwortung, dass das Produkt

**WellChrom Filterphotometer K-2001**, Bestellnummern **A 4160** und **A 4200** (LWL Version)

den folgenden Anforderungen und Produktspezifikationen entspricht:

- Niederspannungsverordnung (73/23/EWG);  
EN 61010 – 1 (1993)
- Maschinenrichtlinie (89/392/EWG)
- EMV-Verordnung (89/336/EWG)  
EN 50081 – 1 (1992)  
EN 55011 (1991) Klasse B bzw.  
EN 55022 (1987) Klasse B  
EN 50082 – 1 (1992)  
IEC 801 – 2 (1984),  
erweitert um IEC 41 B (sec) 81 (1992)  
IEC 801 – 3 (1984)  
IEC 801 – 4 (1988)

Die Produkte wurden in einer typischen Konfiguration geprüft.

Berlin, den 17. Juni 1998



Bernward Rittgerodt (Geschäftsführer)

Als Konformitätszeichen ist folgendes Symbol auf der Rückwand jedes Gerätes angebracht:

**CE**

## Garantiebedingungen

Die werksseitige Garantie für den WellChrom Filterphotometer K-2001 beträgt ein Jahr ab Versanddatum. Unsachgemäße Bedienung des Gerätes und Folgen einer Fremdeinwirkung sind hiervon ausgenommen. Ebenso sind Verschleissteile wie z. B. Sicherungen, Dichtungen, Lampen und Verstopfungsschäden sowie Verpackungs- und Versandkosten von der Garantie ausgenommen. Die über die gesetzliche Gewährleistung hinausgehende Garantie wird nur dann gewährt, wenn die beiliegende Registrierkarte innerhalb von vierzehn Tagen an uns zurückgesandt wird. Bitte wenden Sie sich bei Fehlfunktionen Ihres Filterphotometers K-2001 direkt an das Herstellerwerk:

Wissenschaftliche Gerätebau  
Dr. Ing. Herbert Knauer GmbH  
Hegauer Weg 38  
D-14163 Berlin  
Tel: 030 – 809 727 – 0  
Fax: 030 – 801 50 10  
e-Mail: [info@knauer.net](mailto:info@knauer.net)  
[www.knauer.net](http://www.knauer.net)

Die Verpackung unserer Geräte stellt einen bestmöglichen Schutz vor Transportschäden sicher. Prüfen Sie dennoch jede Sendung sofort auf erkennbare Transportschäden. Bitte wenden Sie sich im Falle einer unvollständigen oder beschädigten Sendung innerhalb von drei Werktagen an das Herstellerwerk. Bitte unterrichten Sie auch den Spediteur von etwaigen Transportschäden.

Wenn wir nach Durchführung der notwendigen Kontrollprozesse einen Mangel oder Defekt feststellen, der unter die Garantie fällt, wird kostenfrei nach unserer Entscheidung eine Reparatur oder ein Austausch vorgenommen. Verpackungs- und Versandkosten trägt der Käufer.